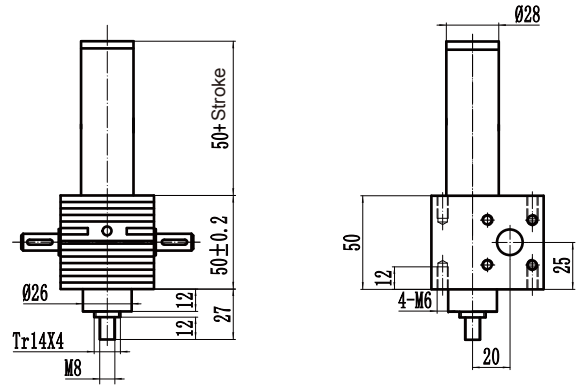
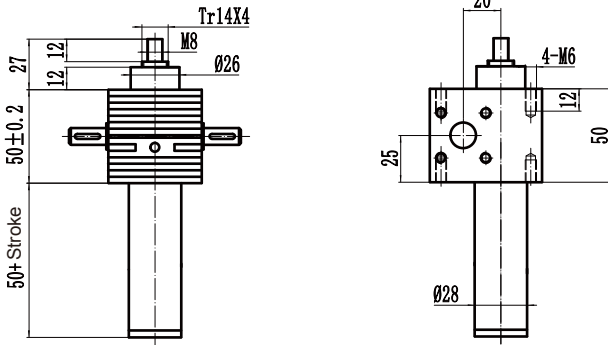


SJC2.5 Worm Gear Screw Jack

US, UK : Upright translating screw(Screw anti-rotation)

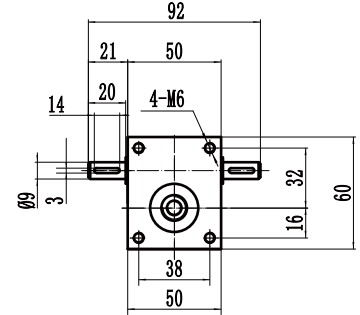
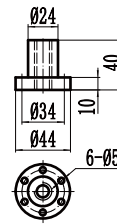
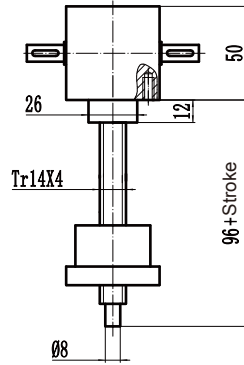
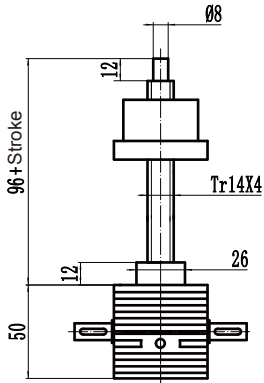
IS, IK : Inverted translating Screw(Screw anti-rotation)



UR: Upright Rotating Screw

IR: Inverted Rotating Screw

Mounting View

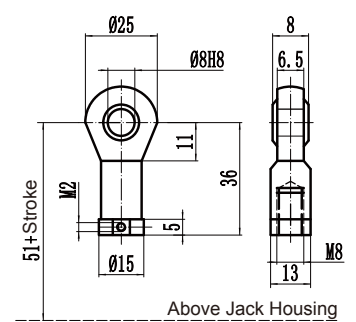
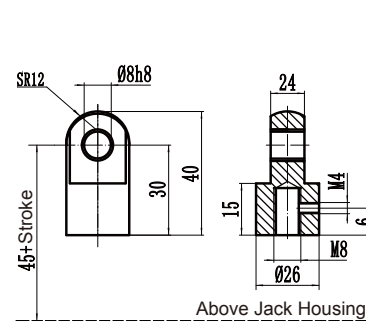
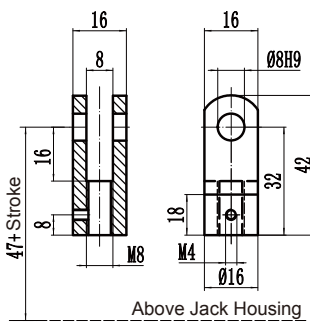
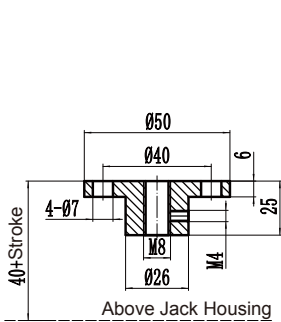


Top Plate

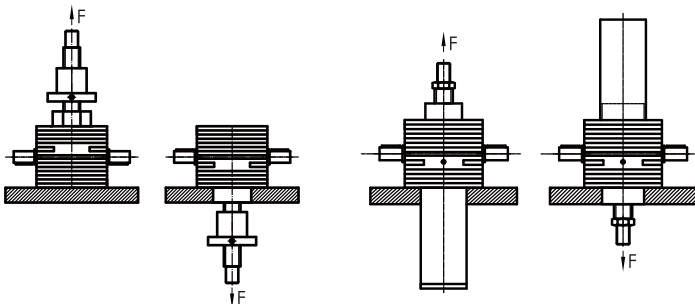
Forked Head

Clevis End

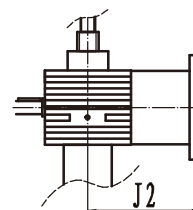
Spherical Hinge



Installation diagram



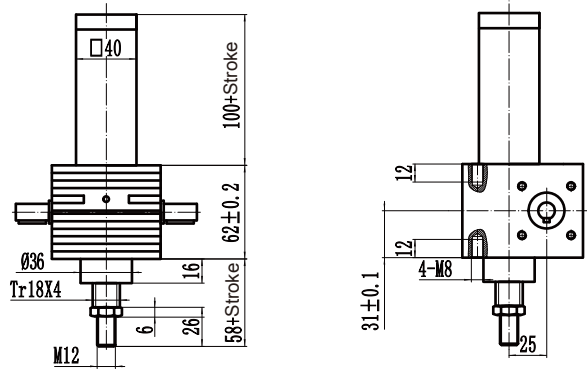
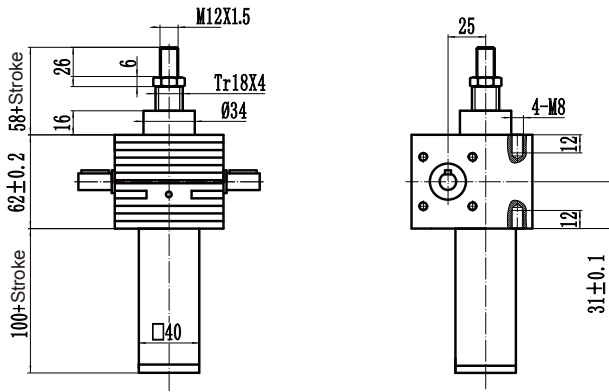
Flange Input
Can be customized



Motor base number	J2
63B14	75
71B14	82

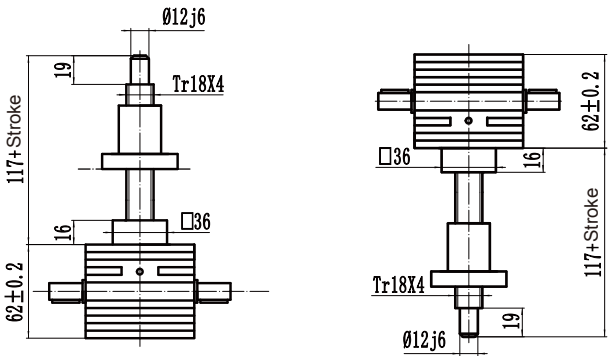
US, UK : Upright translating screw(Screw anti-rotation)

IS, IK : Inverted translating Screw(Screw anti-rotation)

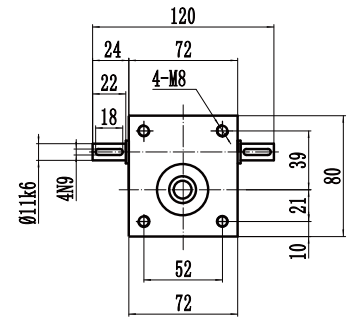


UR: Upright Rotating Screw

IR: Inverted Rotating Screw



Mounting View

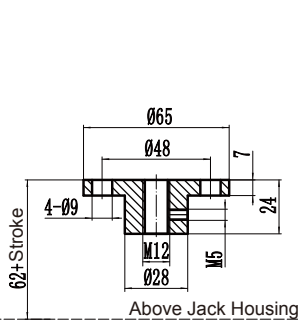


Top Plate

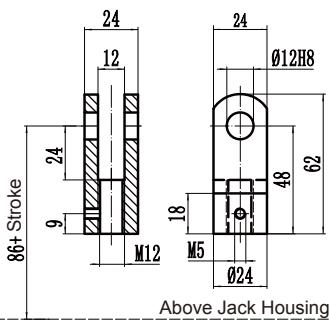
Forked Head

Clevis End

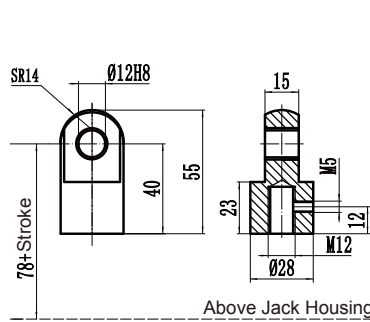
Spherical Hinge



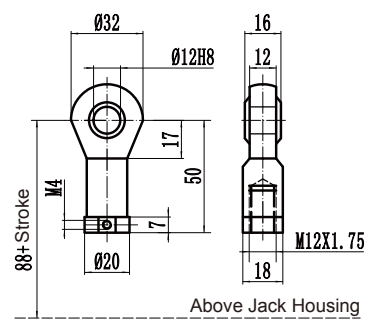
Above Jack Housing



Above Jack Housing

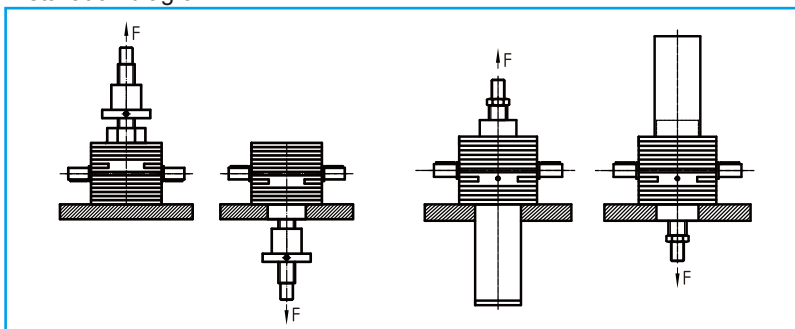


Above Jack Housing

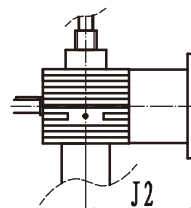


Above Jack Housing

Installation diagram



Flange Input
Can be customized

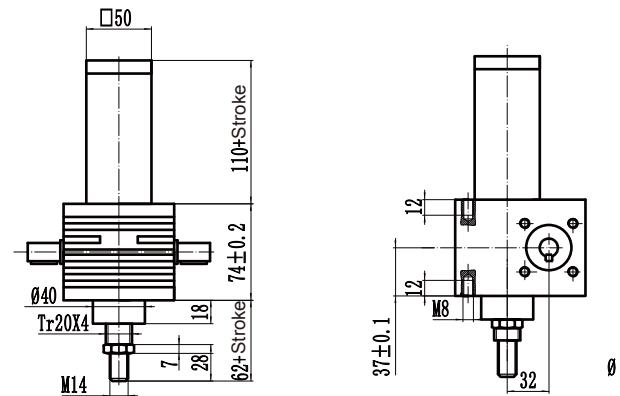
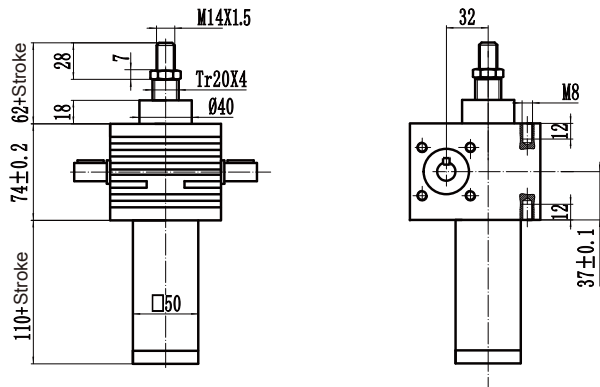


Motor base number	J2
63B14	90
71B14	97

SJC10 Worm Gear Screw Jack

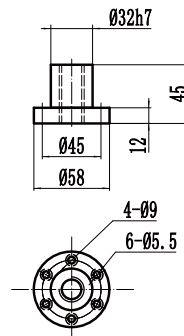
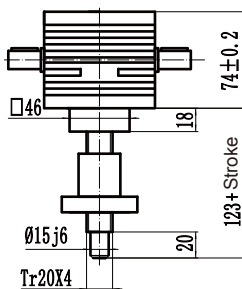
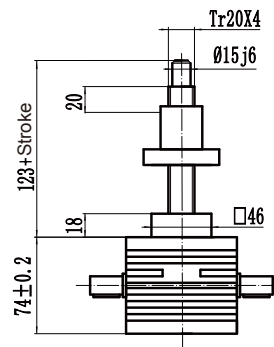
US, UK : Upright translating screw(Screw anti-rotation)

IS, IK : Inverted translating Screw(Screw anti-rotation)

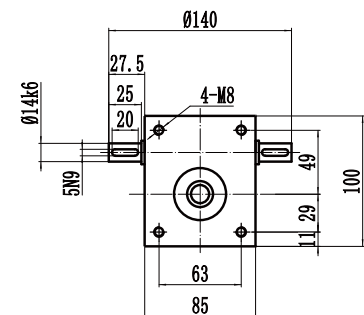


UR: Upright Rotating Screw

IR: Inverted Rotating Screw



Mounting View

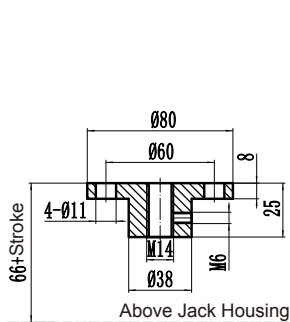


Top Plate

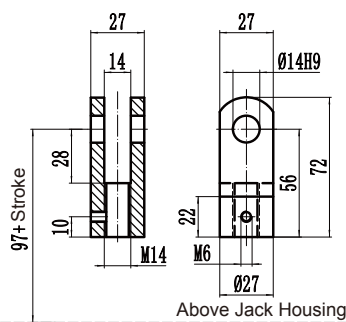
Forked Head

Clevis End

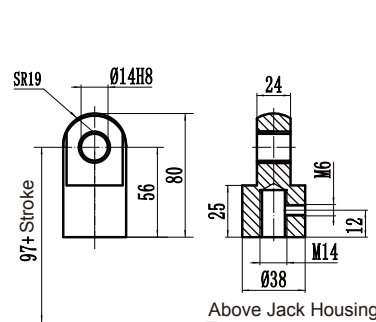
Spherical Hinge



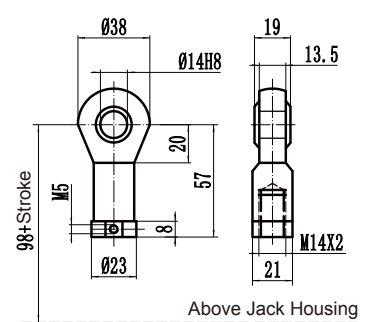
Above Jack Housing



Above Jack Housing

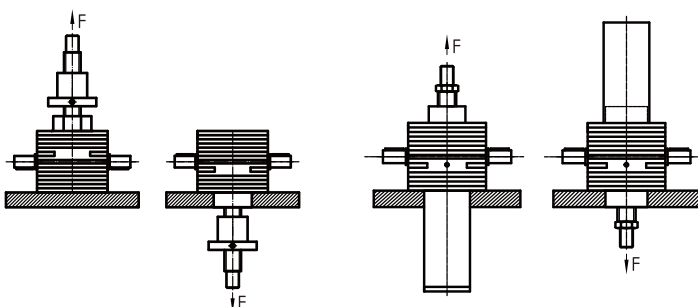


Above Jack Housing

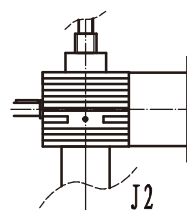


Above Jack Housing

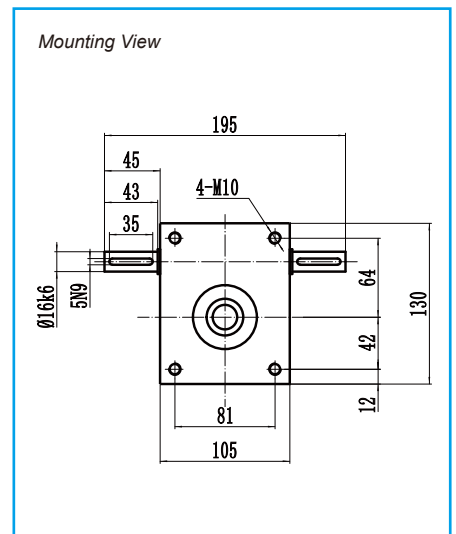
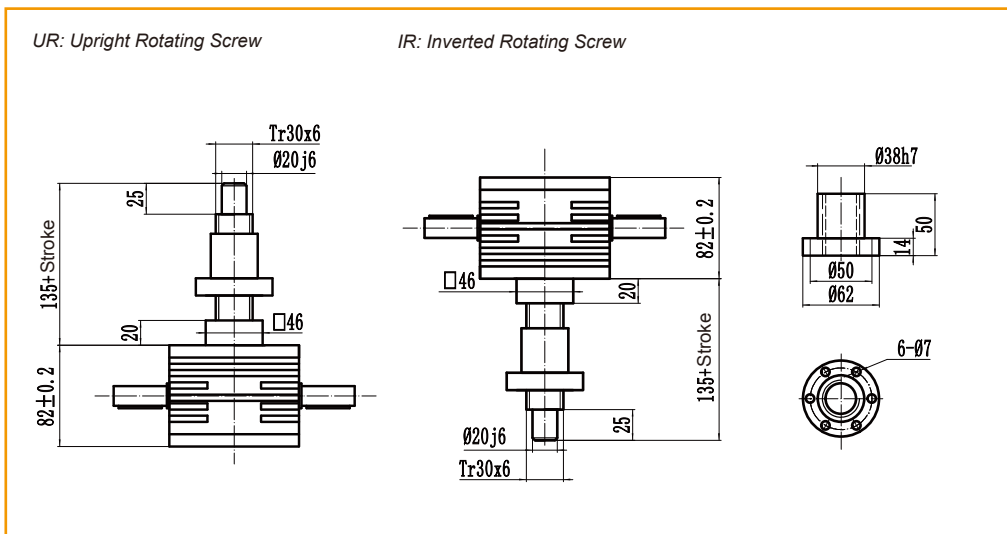
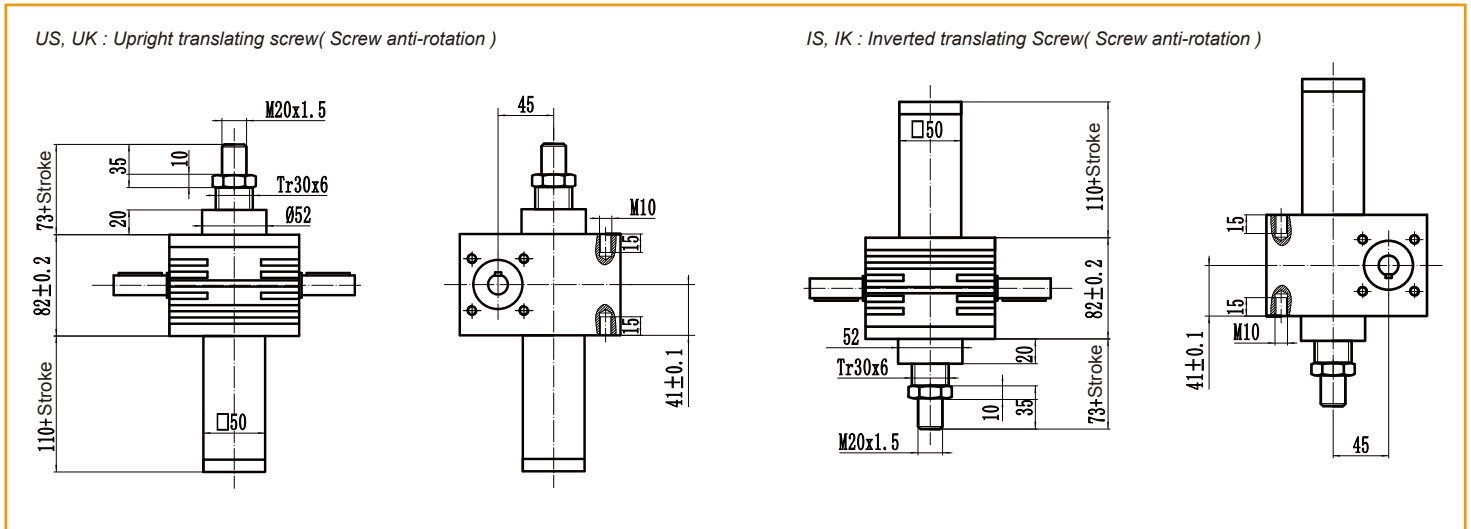
Installation diagram



Flange Input
Can be customized



Motor base number	J2
63B14	100
71B14	107
80B14	117

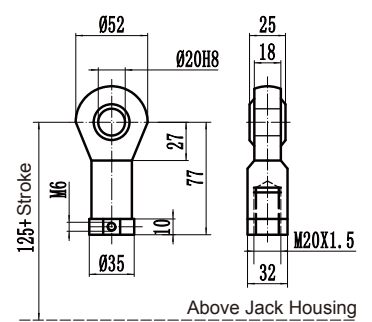
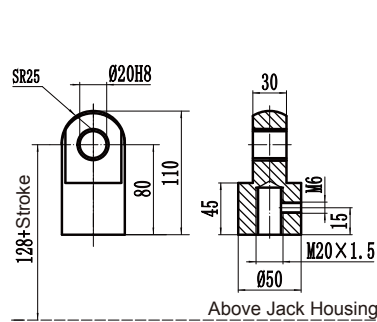
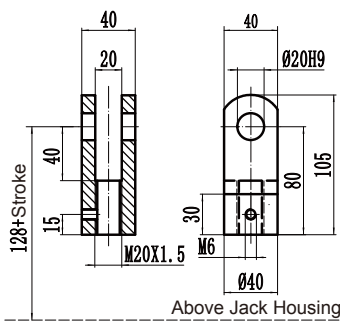
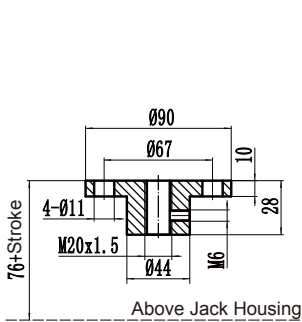


Top Plate

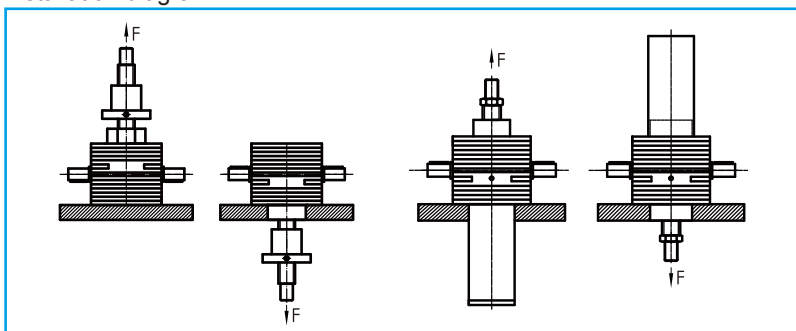
Forked Head

Clevis End

Spherical Hinge



Installation diagram



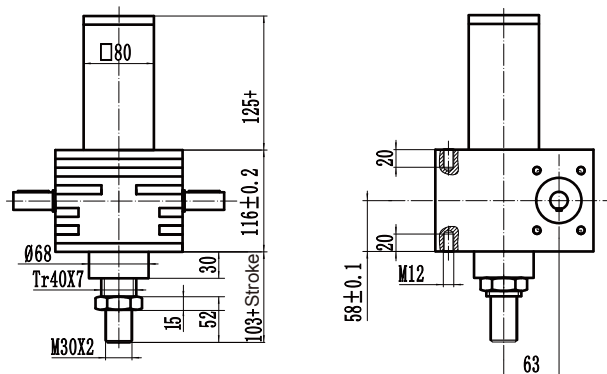
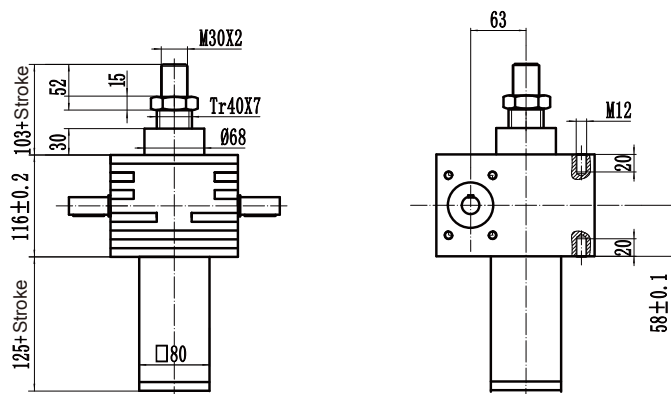
Flange Input
Can be customized

Motor base number	J2
7B14	135
80B14	145
90B14	155

SJC50 Worm Gear Screw Jack

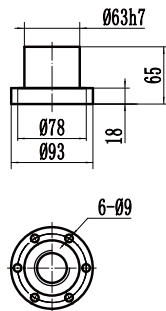
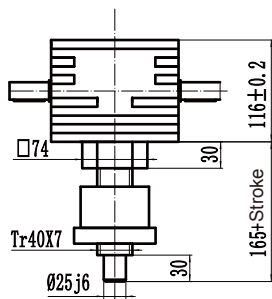
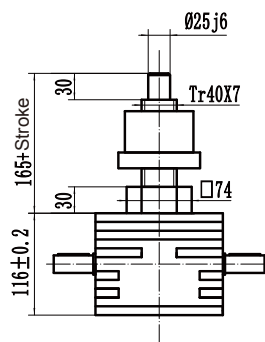
US, UK : Upright translating screw(Screw anti-rotation)

IS, IK : Inverted translating Screw(Screw anti-rotation)

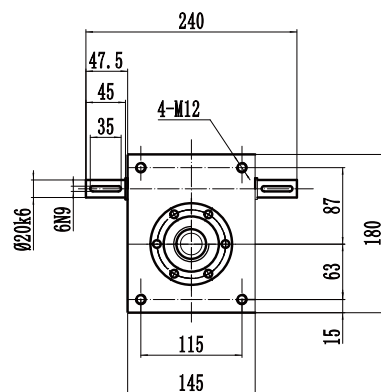


UR: Upright Rotating Screw

IR: Inverted Rotating Screw



Mounting View

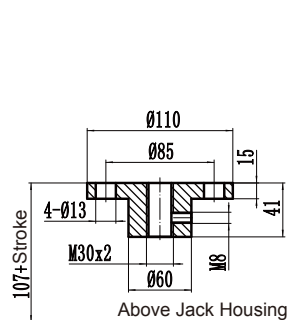


Top Plate

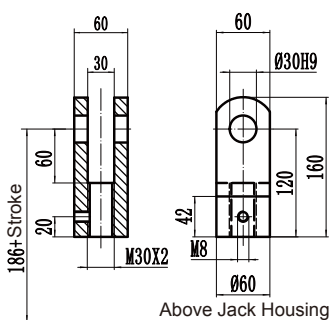
Forked Head

Clevis End

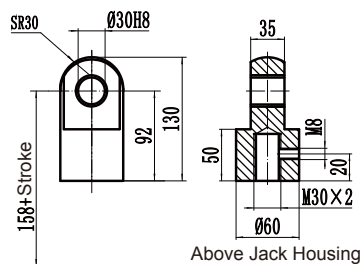
Spherical Hinge



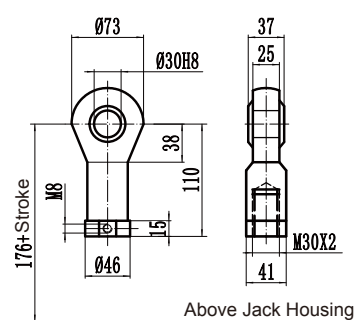
Above Jack Housing



Above Jack Housing

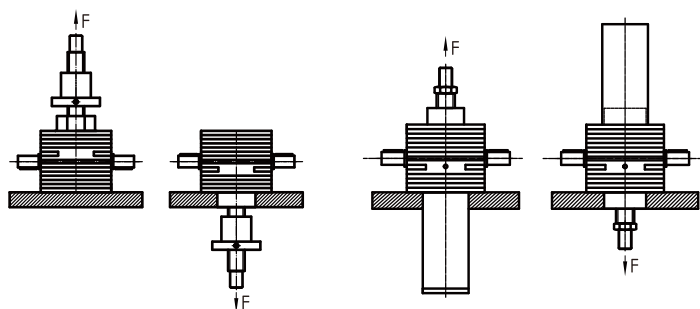


Above Jack Housing

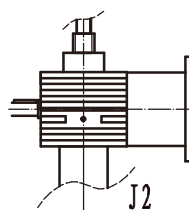


Above Jack Housing

Installation diagram



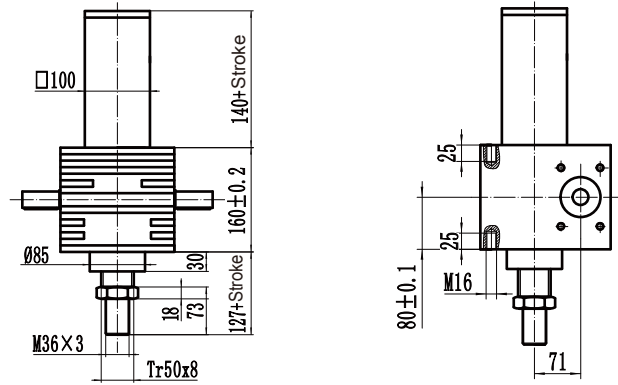
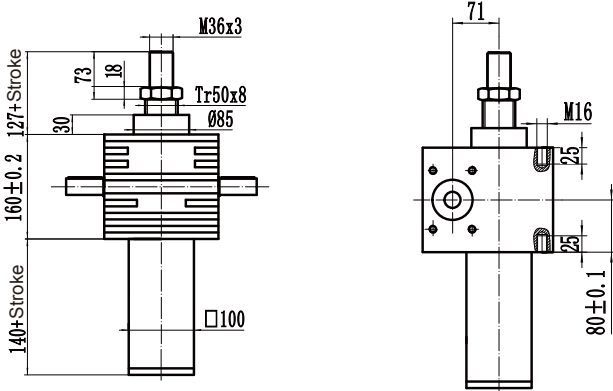
Flange Input
Can be customized



Motor base number	J2
80B14	167
90B14	177
100B14	187

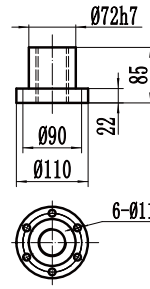
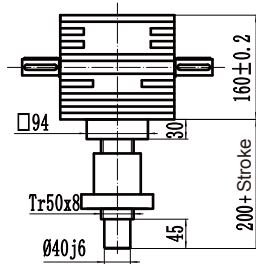
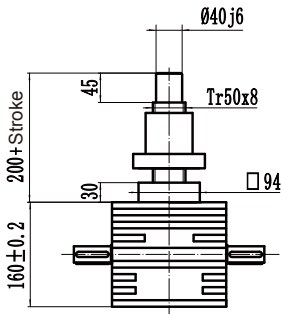
US, UK : Upright translating screw(Screw anti-rotation)

IS, IK : Inverted translating Screw(Screw anti-rotation)

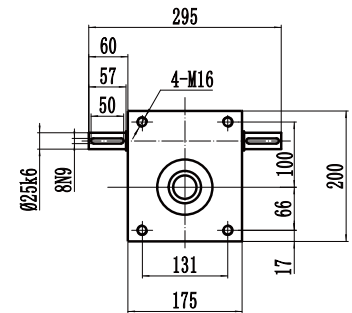


UR: Upright Rotating Screw

IR: Inverted Rotating Screw



Mounting View

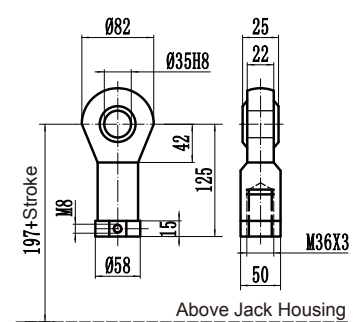
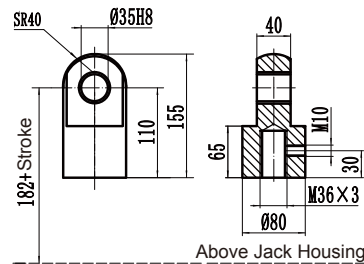
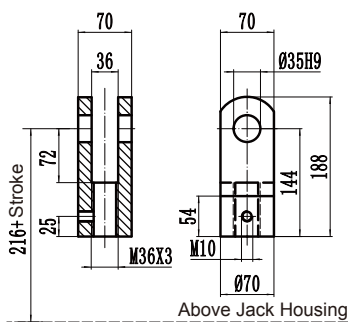
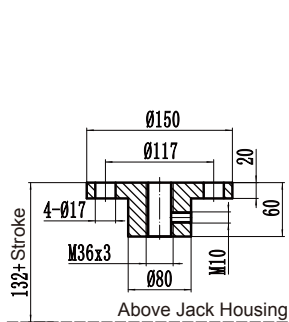


Top Plate

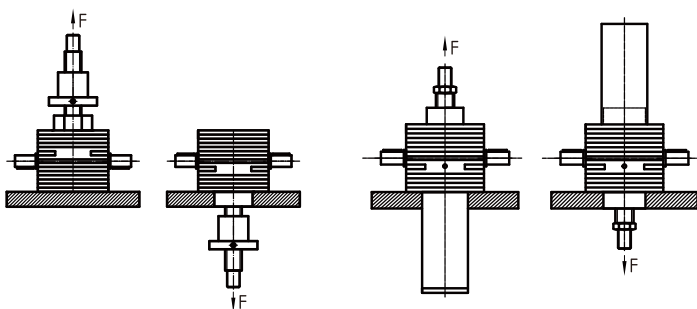
Forked Head

Clevis End

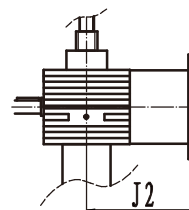
Spherical Hinge



Installation diagram



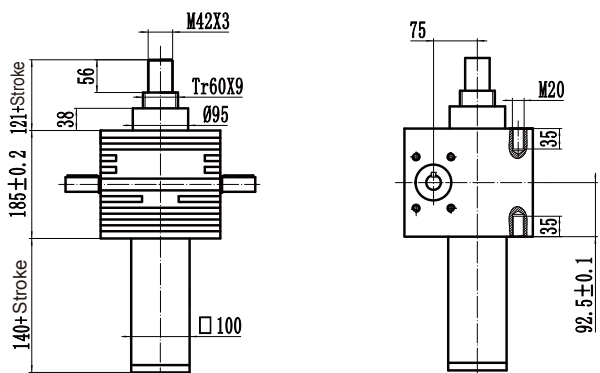
Flange Input
Can be customized



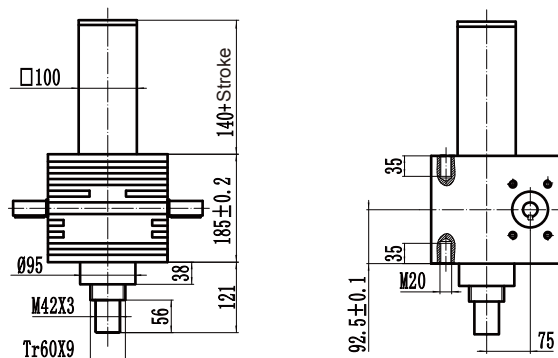
Motor base number	J2
80B14	195
90B14	205
100B5	215

SJC100 Worm Gear Screw Jack

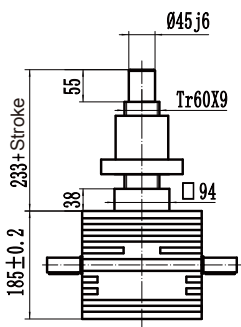
US, UK : Upright translating screw(Screw anti-rotation)



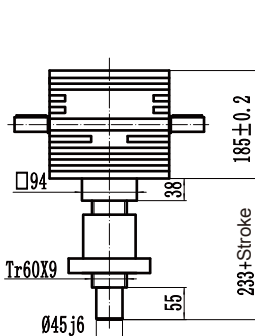
IS, IK : Inverted translating Screw(Screw anti-rotation)



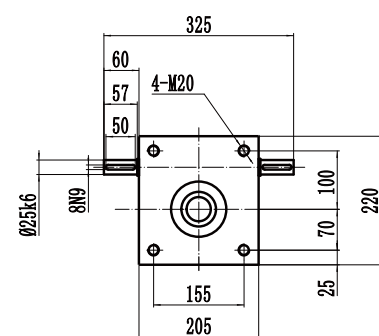
UR: Upright Rotating Screw



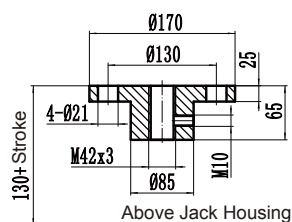
IR: Inverted Rotating Screw



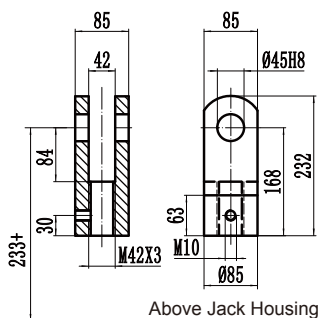
Mounting View



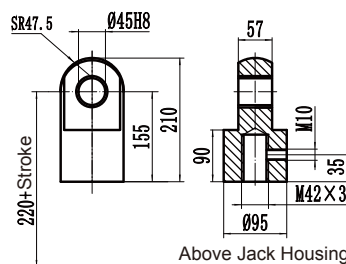
Top Plate



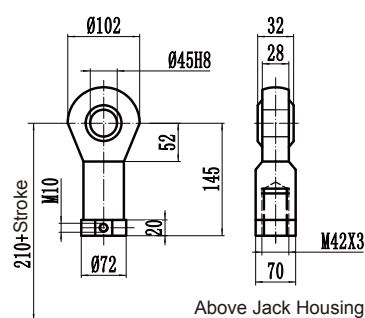
Forked Head



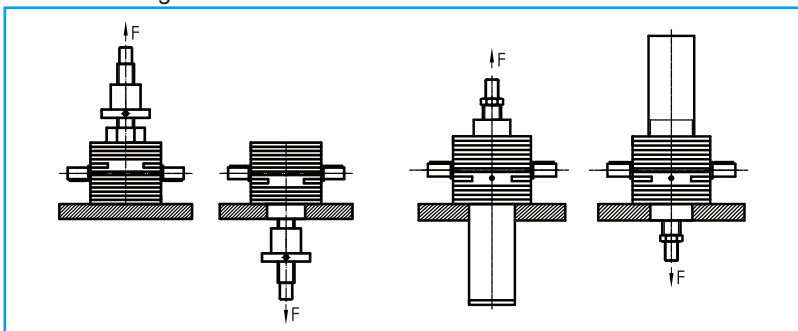
Clevis End



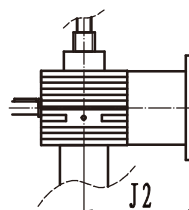
Spherical Hinge



Installation diagram



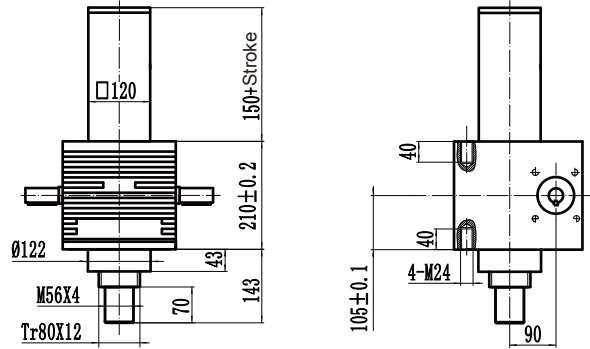
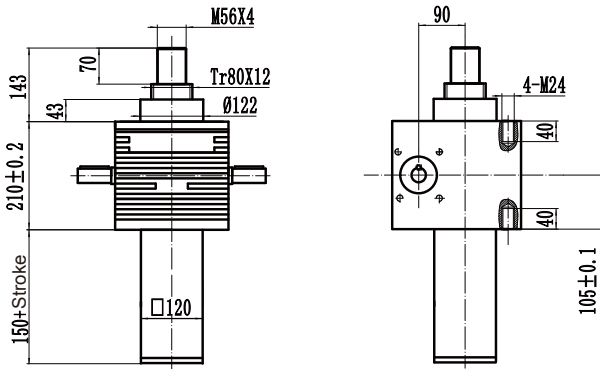
Flange Input
Can be customized



Motor base number	J2
90B14	218
100B14	228

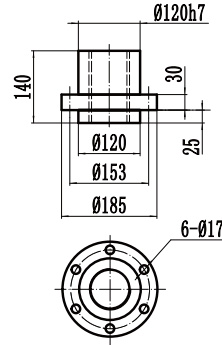
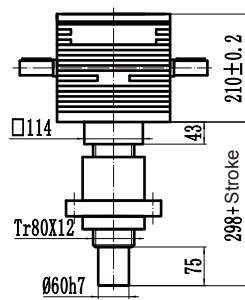
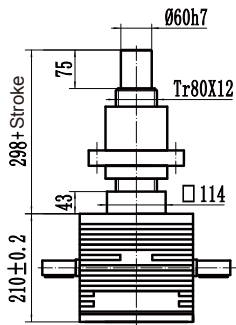
US, UK : Upright translating screw(Screw anti-rotation)

IS, IK : Inverted translating Screw(Screw anti-rotation)

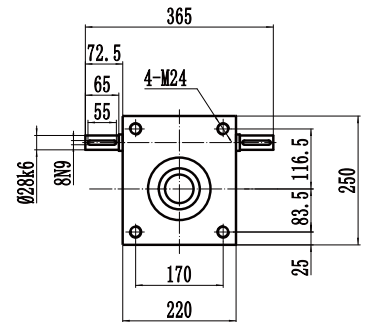


UR: Upright Rotating Screw

IR: Inverted Rotating Screw



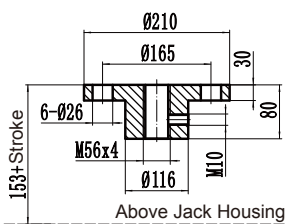
Mounting View



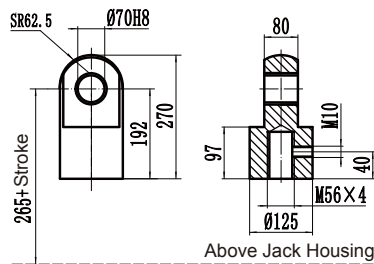
Top Plate

Clevis End

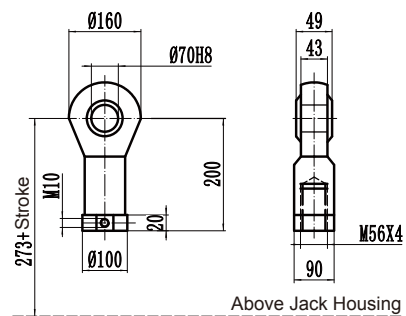
Spherical Hinge



Above Jack Housing

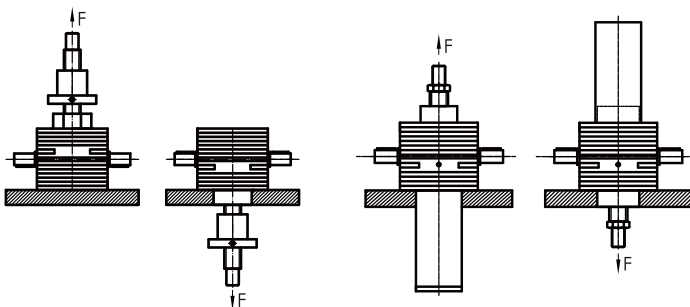


Above Jack Housing

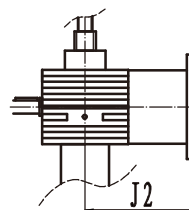


Above Jack Housing

Installation diagram



Flange Input
Can be customized

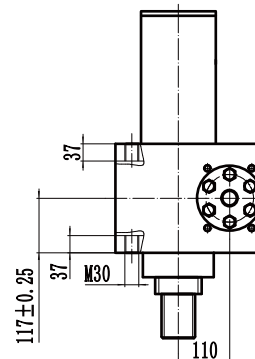
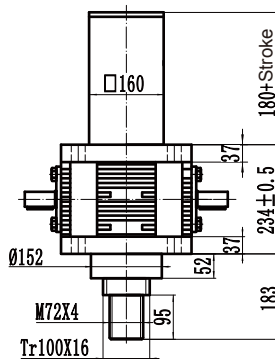
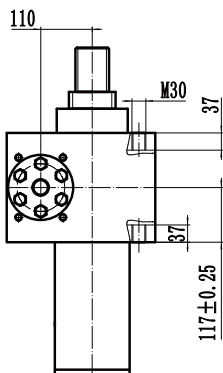
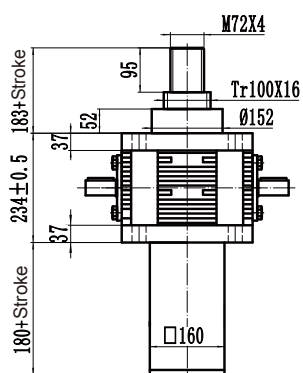


Motor base number	J2
90B5	240
100B5	250
112B5	250

SJC300 Worm Gear Screw Jack

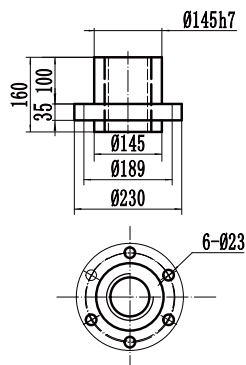
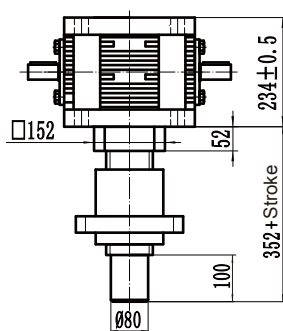
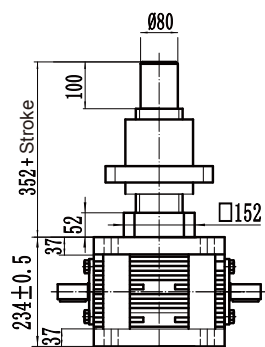
US, UK : Upright translating screw(Screw anti-rotation)

IS, IK : Inverted translating Screw(Screw anti-rotation)

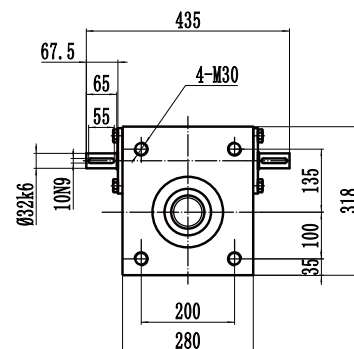


UR: Upright Rotating Screw

IR: Inverted Rotating Screw

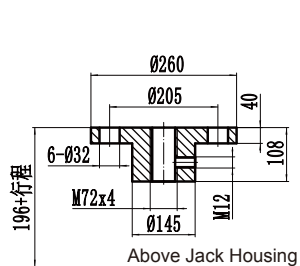


Mounting View

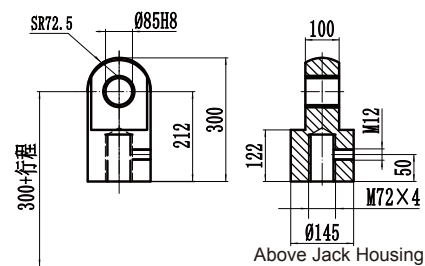


Top Plate

Clevis End

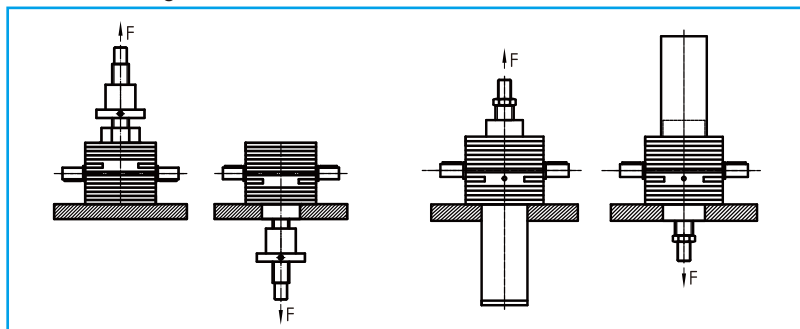


Above Jack Housing



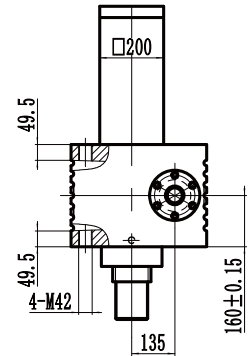
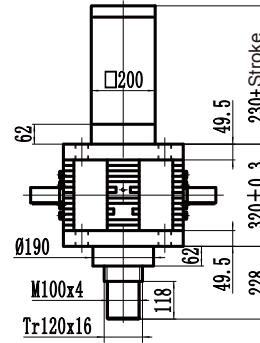
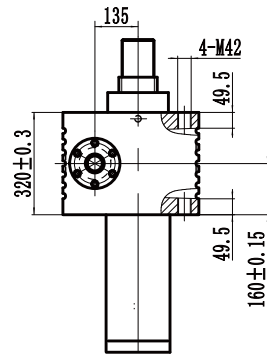
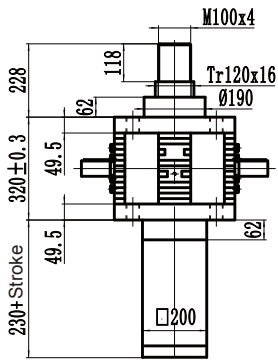
Above Jack Housing

Installation diagram



US, UK : Upright translating screw(Screw anti-rotation)

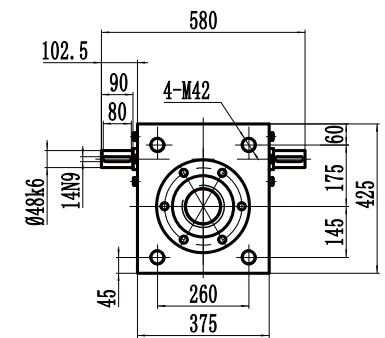
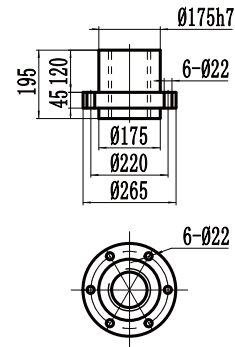
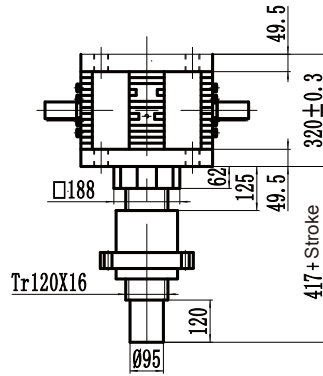
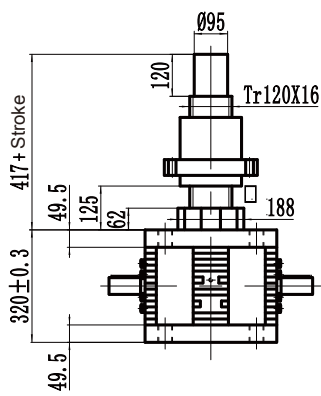
IS, IK : Inverted translating Screw(Screw anti-rotation)



UR: Upright Rotating Screw

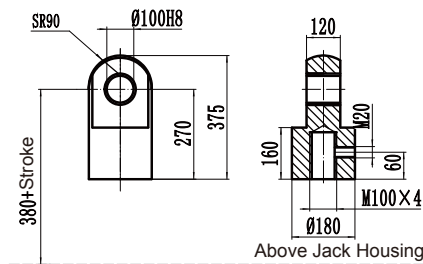
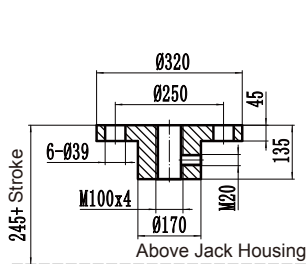
IR: Inverted Rotating Screw

Mounting View

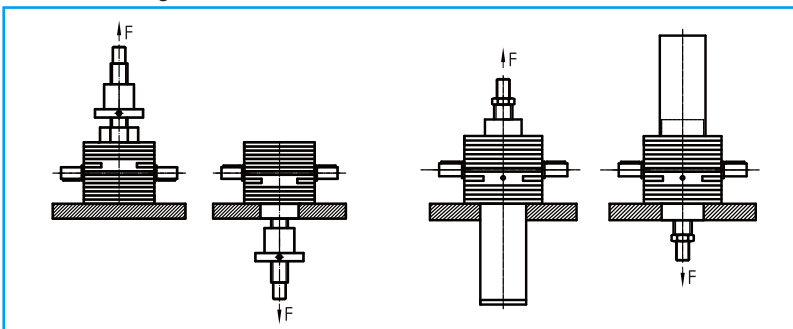


Top Plate

Clevis End

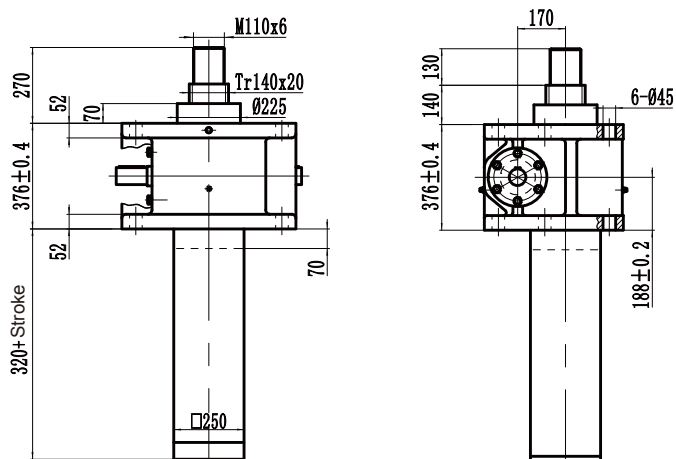


Installation diagram

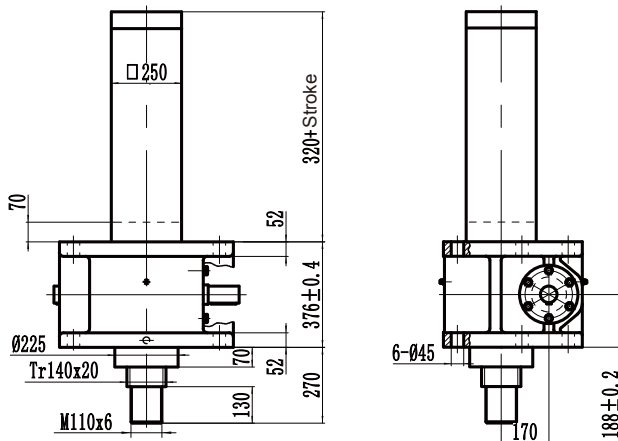


SJC700 Worm Gear Screw Jack

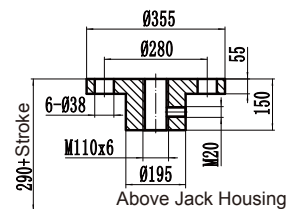
US, UK : Upright translating screw(Screw anti-rotation)



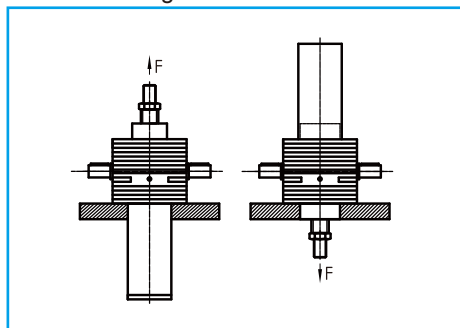
IS, IK : Inverted translating Screw(Screw anti-rotation)



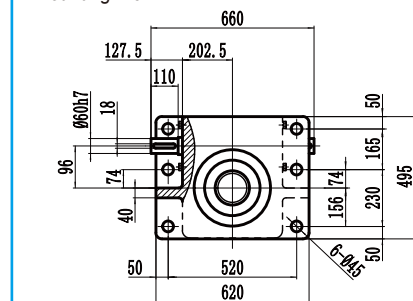
Top Plate



Installation diagram

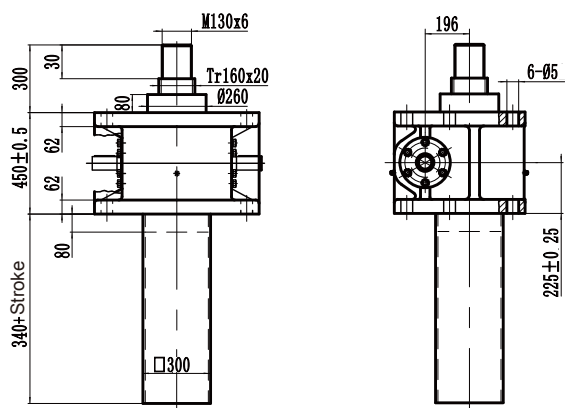


Mounting View

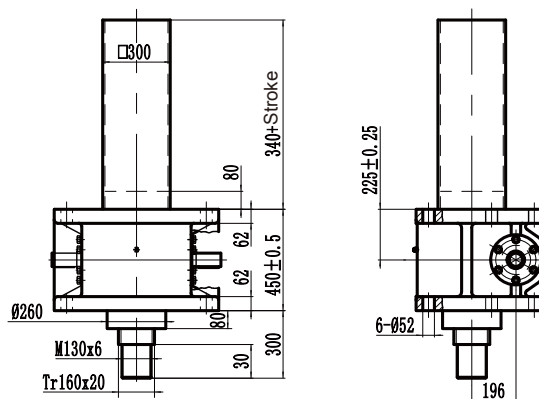


SJC1000 Worm Gear Screw Jack

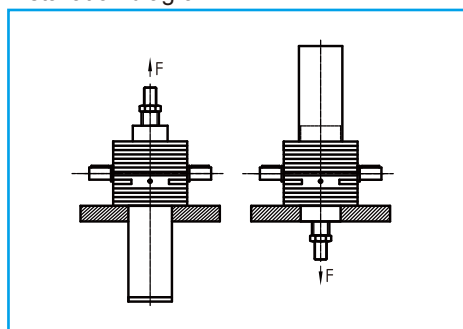
US, UK : Upright translating screw(Screw anti-rotation)



IS, IK : Inverted translating Screw(Screw anti-rotation)



Installation diagram



Mounting View

