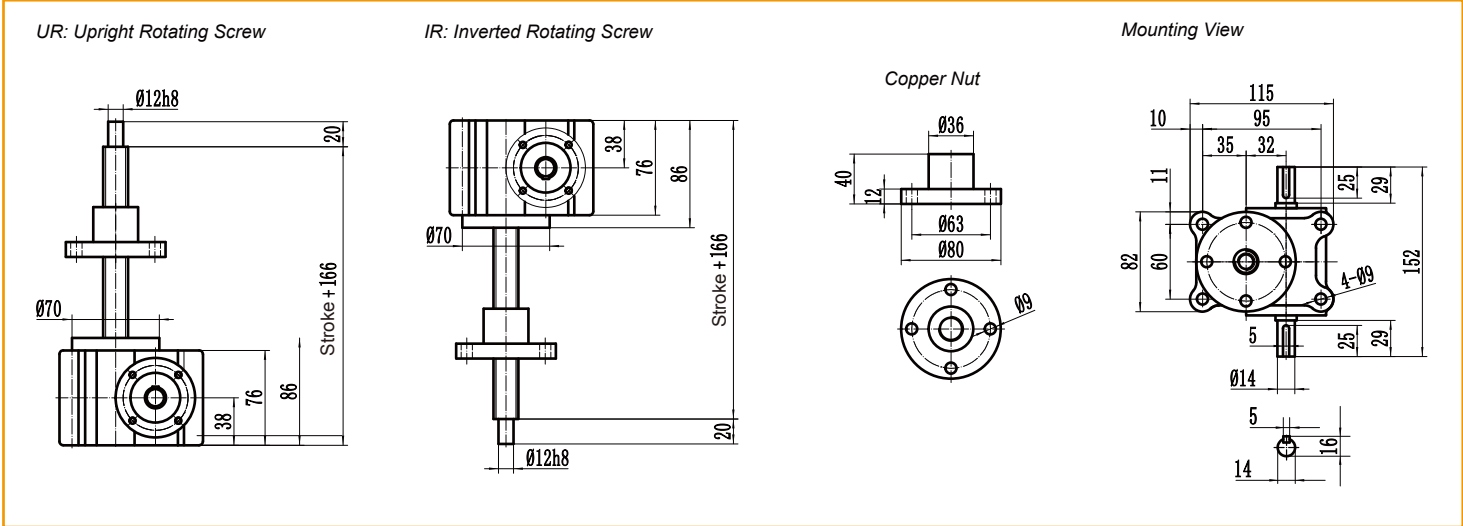
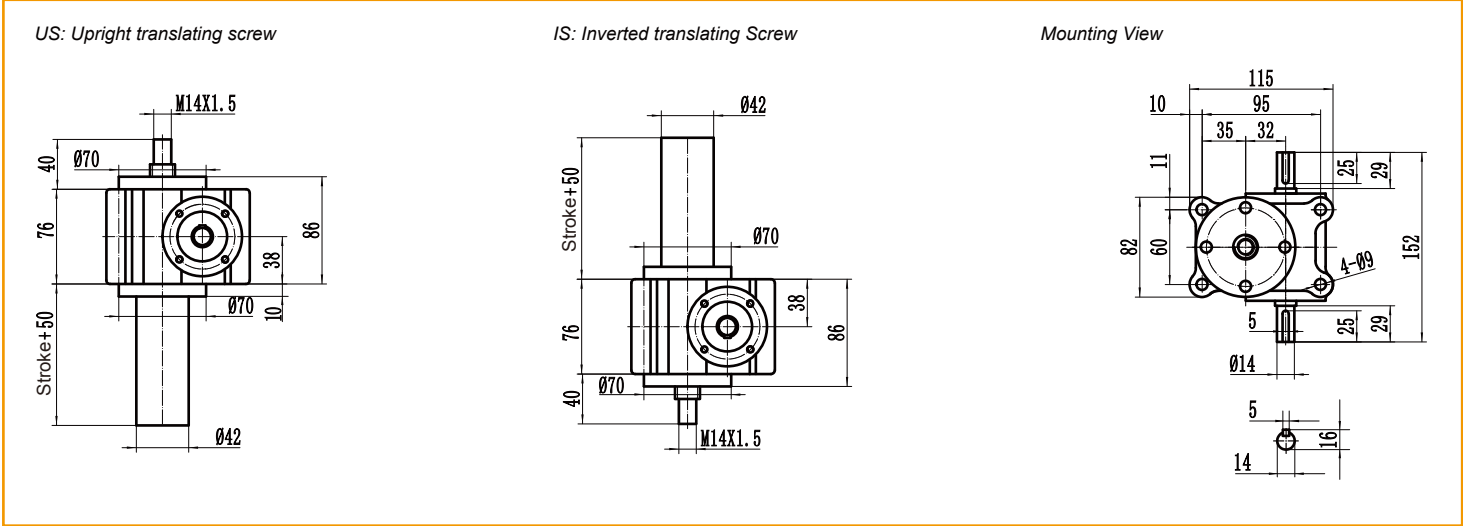
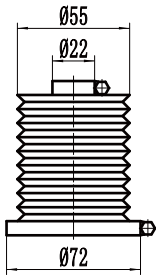


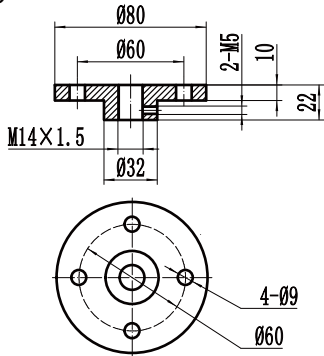
SJW-010 Machine Screw Jack



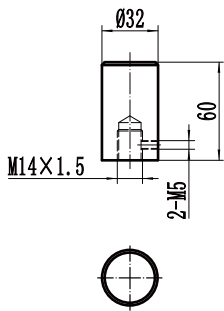
Dust Cover(Bellows)



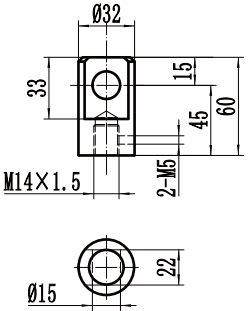
Top Plate



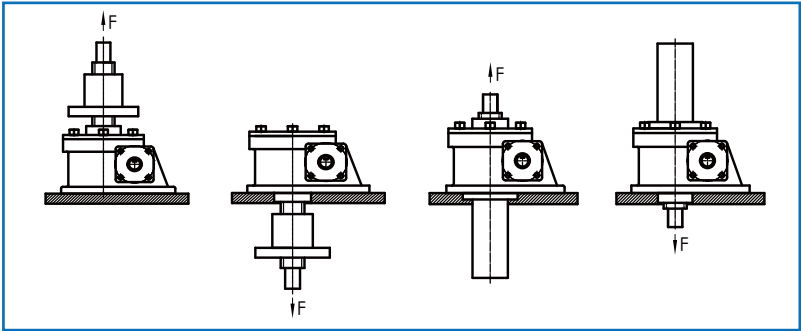
Plain End



Clevis End



Installation diagram

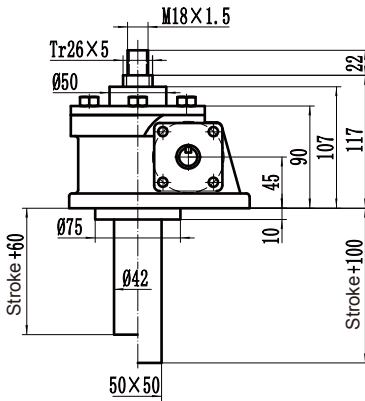


Flange Input
Can be customized

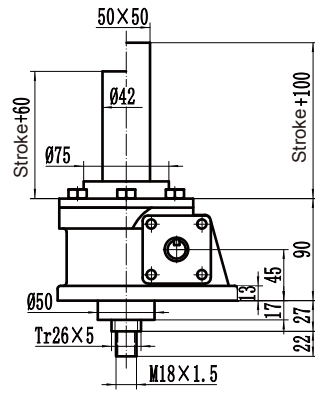
Motor base number	J2
63B5	104
71B5	111
80B5	121

SJW-025 Machine Screw Jack

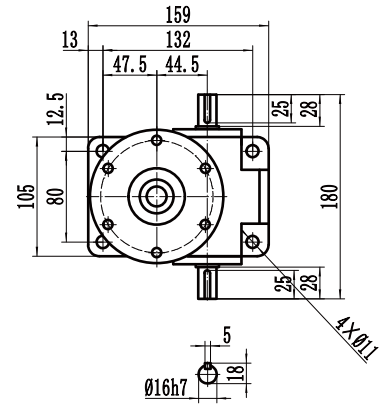
US, UK : Upright translating screw(Screw anti-rotation)



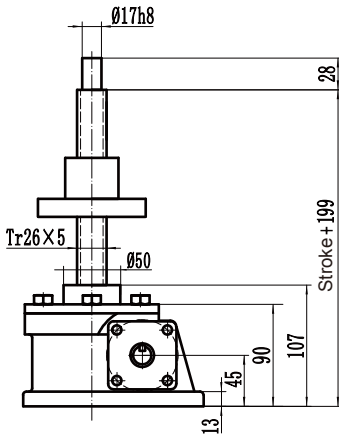
IS, IK : Inverted translating Screw(Screw anti-rotation)



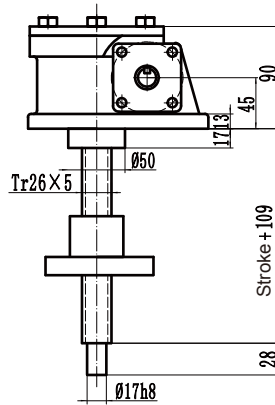
Mounting View



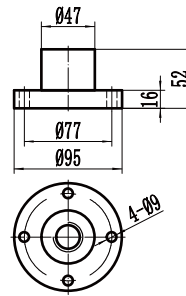
UR: Upright Rotating Screw



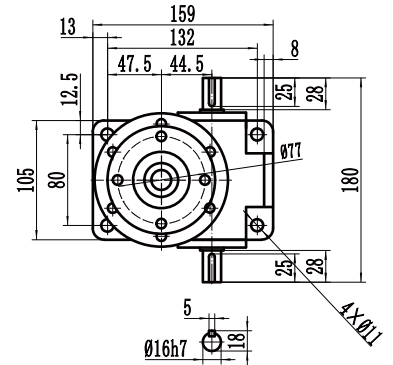
IR: Inverted Rotating Screw



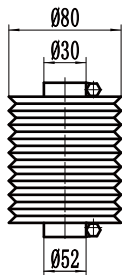
Copper Nut



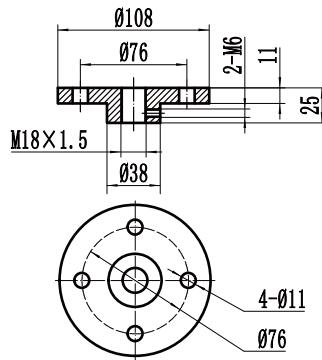
Mounting View



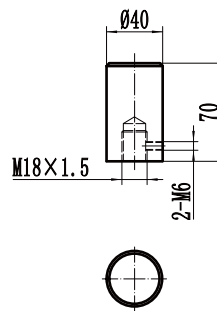
Dust Cover(Bellows)



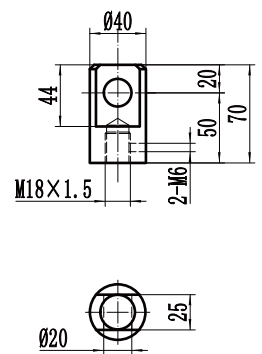
Top Plate



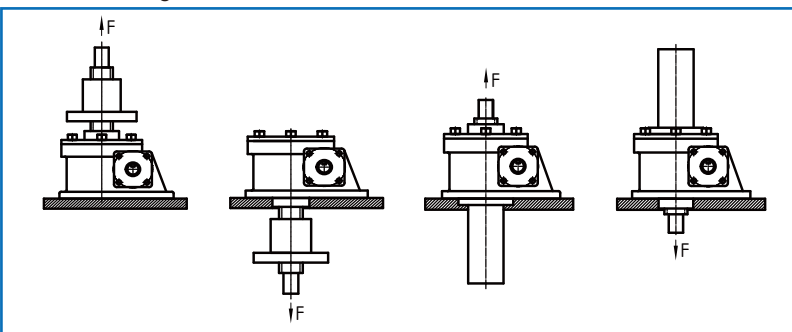
Plain End



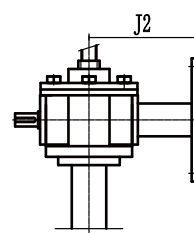
Clevis End



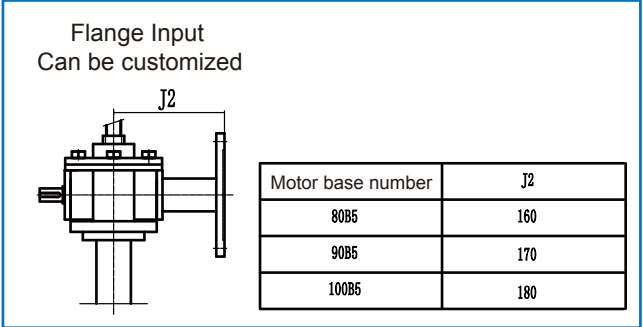
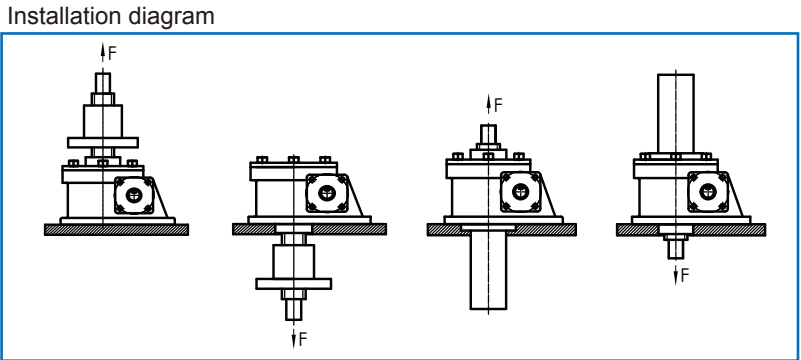
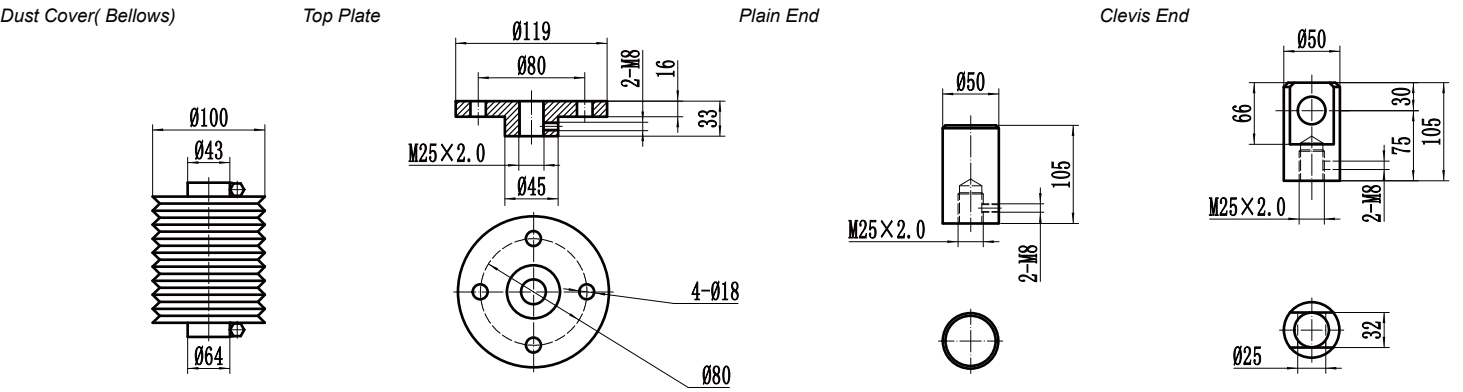
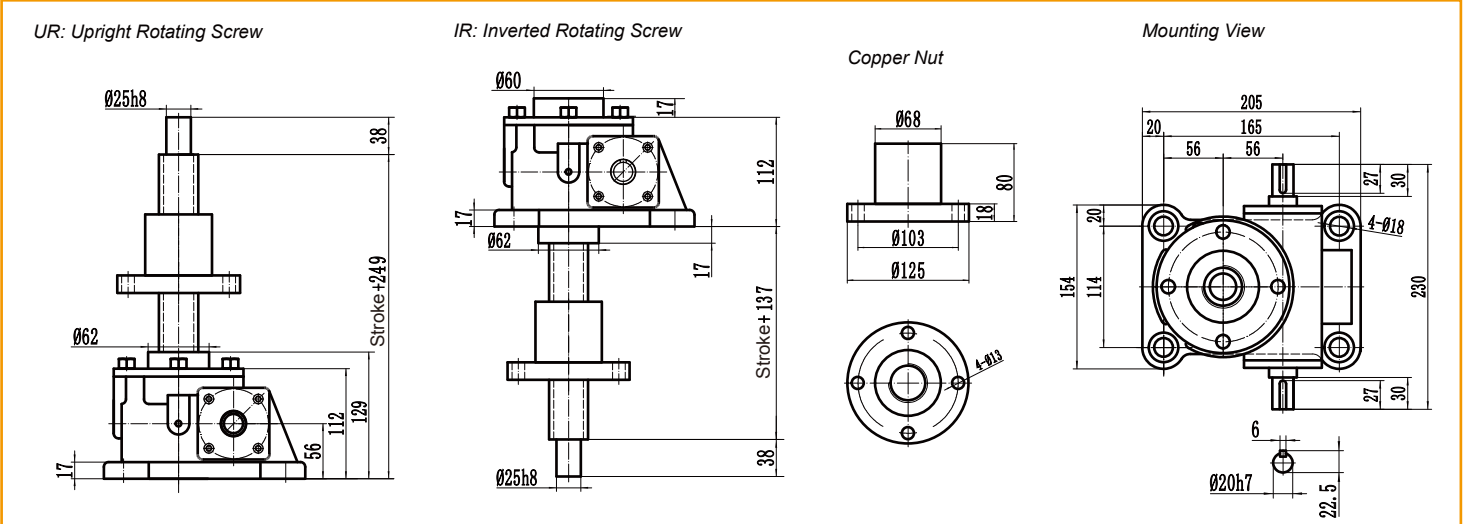
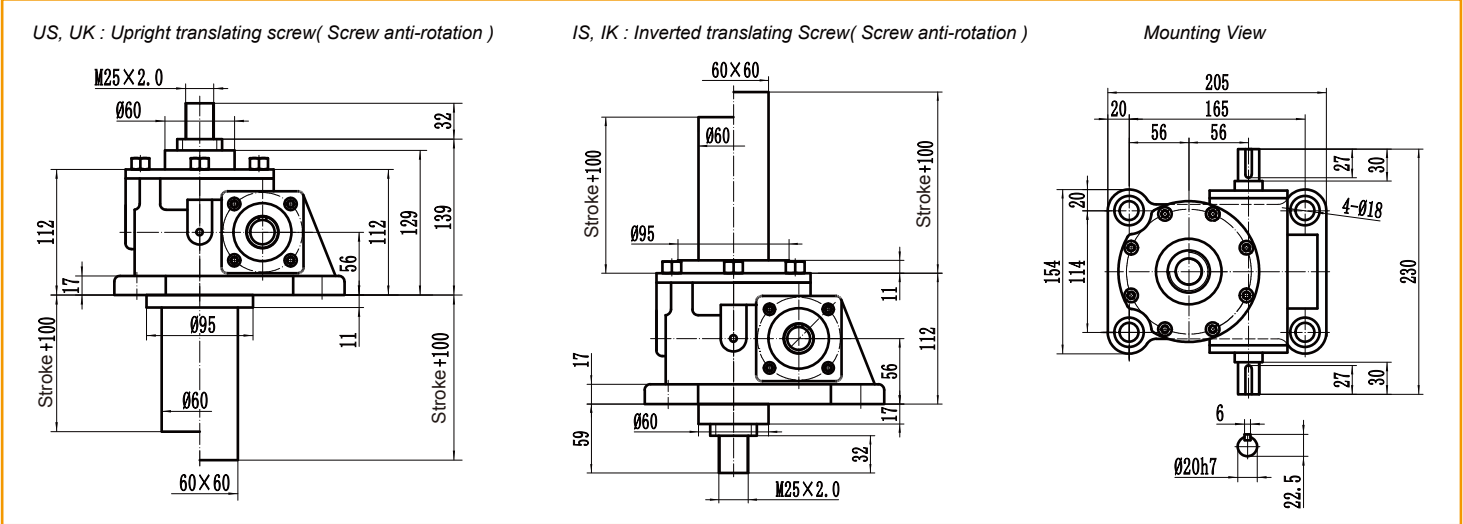
Installation diagram



Flange Input
Can be customized

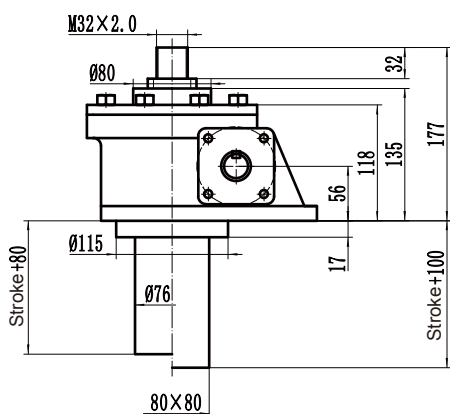


Motor base number	J2
71B5	125
80B5	135
90B5	145

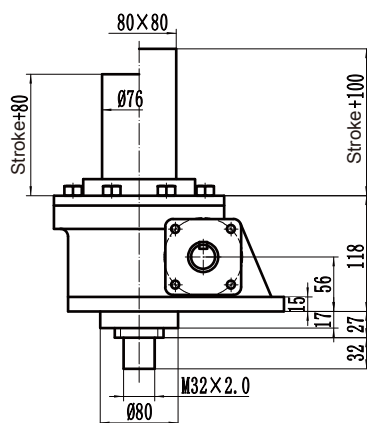


SJW-100 Machine Screw Jack

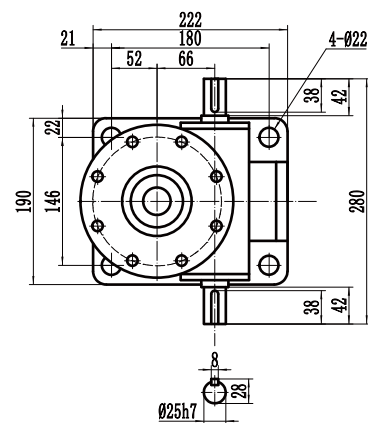
US, UK : Upright translating screw (Screw anti-rotation)



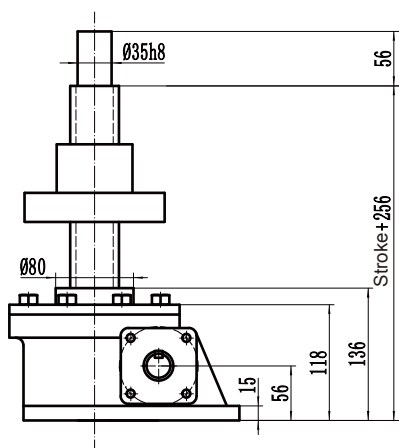
IS, IK : Inverted translating Screw (Screw anti-rotation)



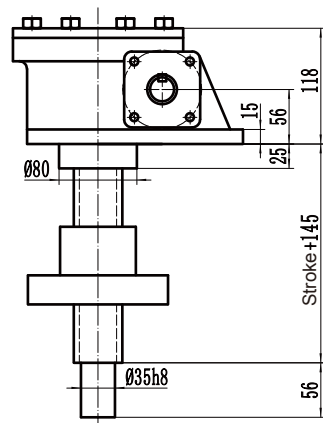
Mounting View



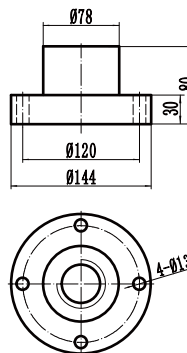
UR: Upright Rotating Screw



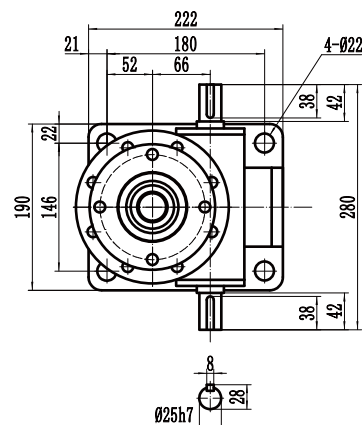
IR: Inverted Rotating Screw



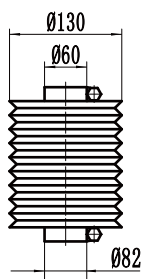
Copper Nut



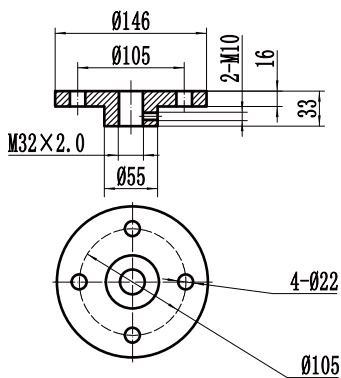
Mounting View



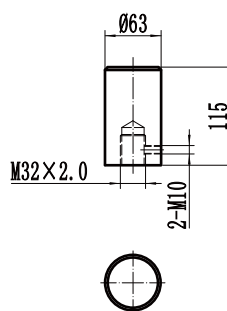
Dust Cover (Bellows)



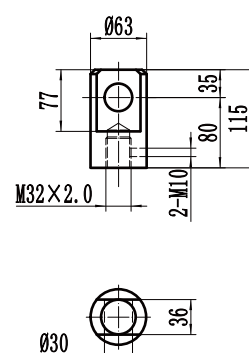
Top Plate



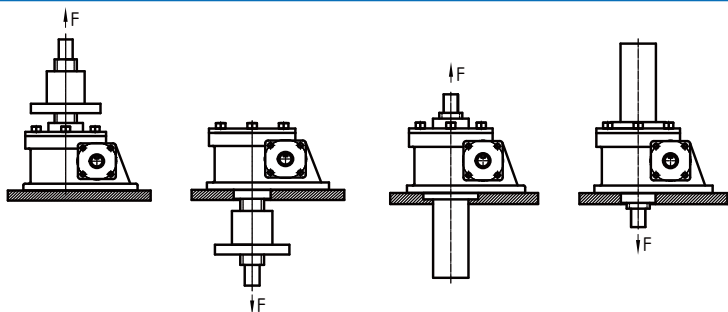
Plain End



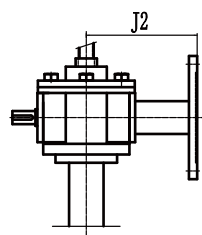
Clevis End



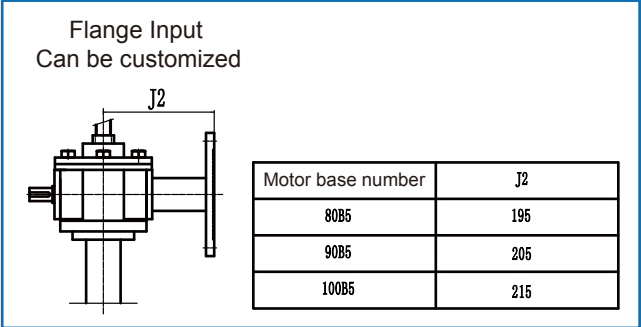
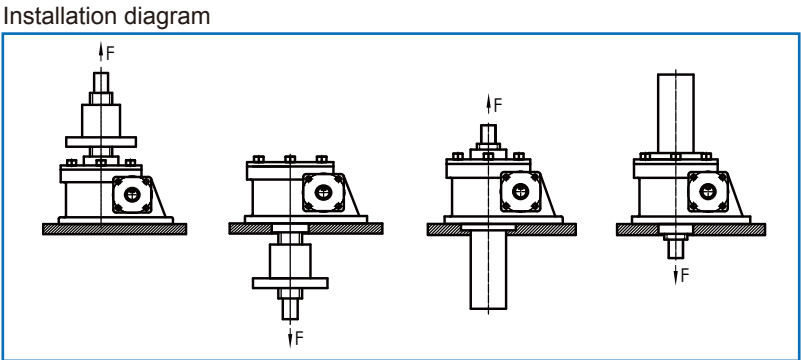
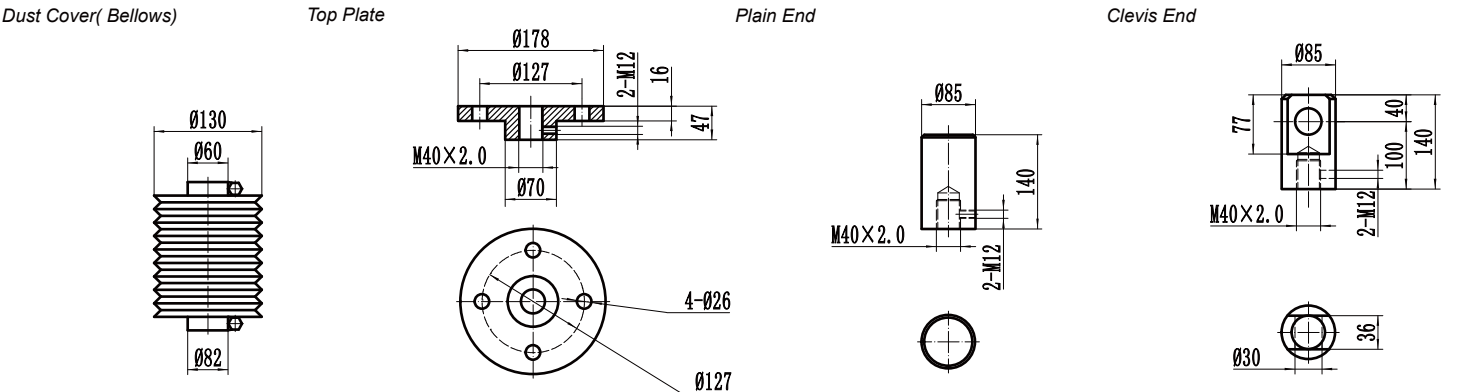
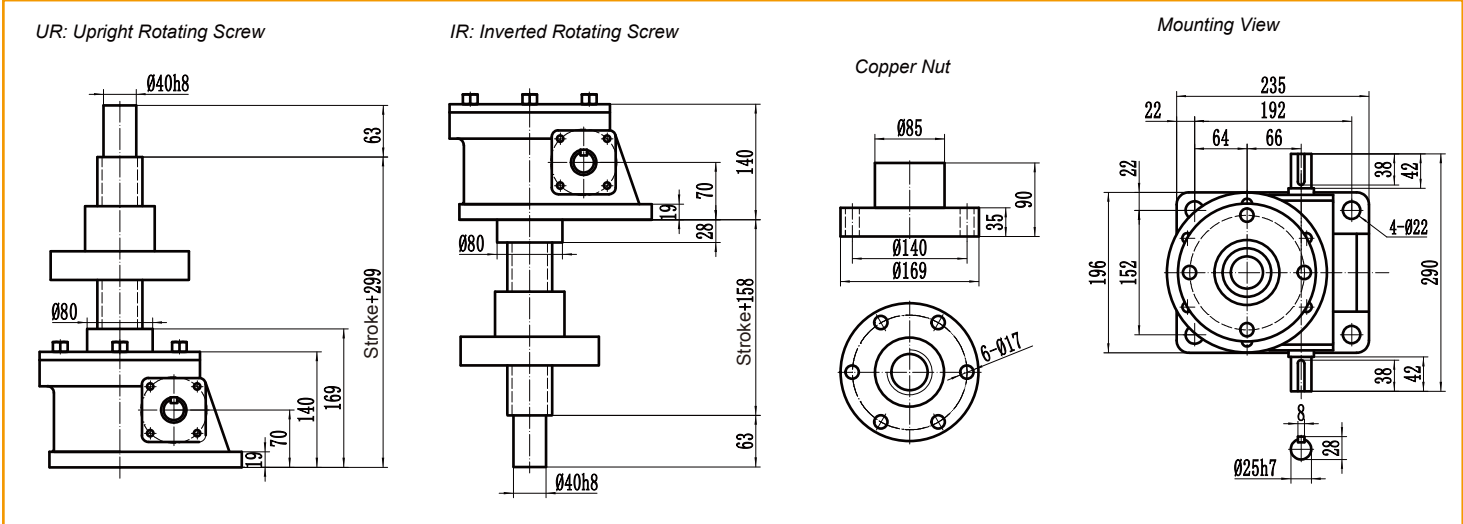
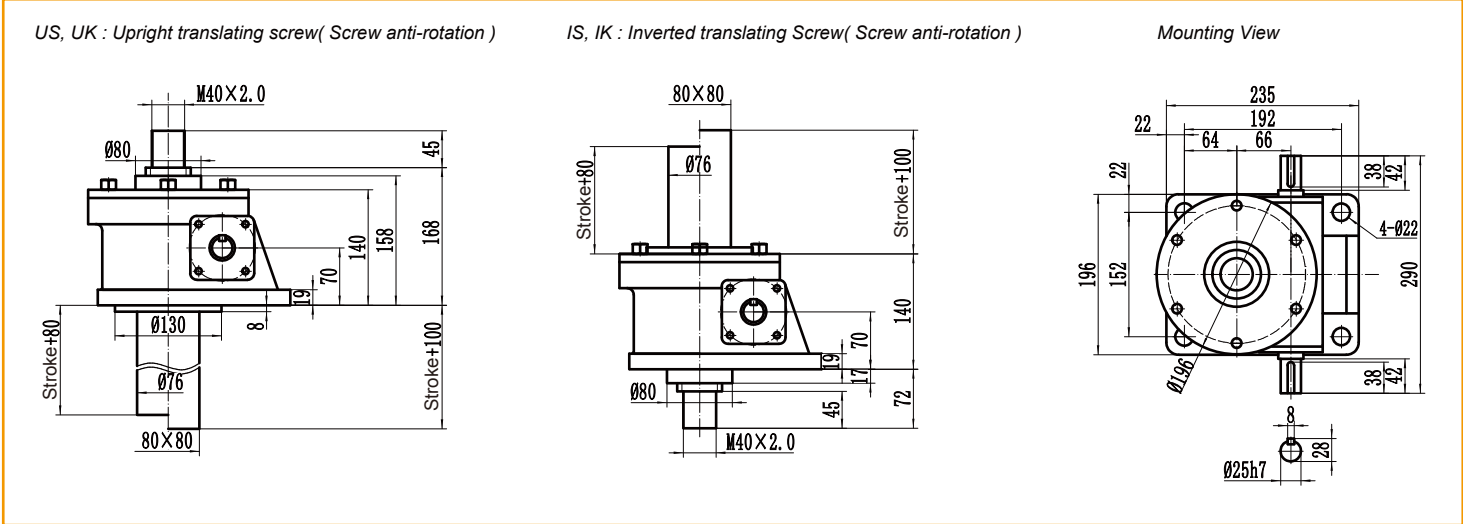
Installation diagram



Flange Input Can be customized



Motor base number	J2
80B5	185
90B5	195
100B5	205

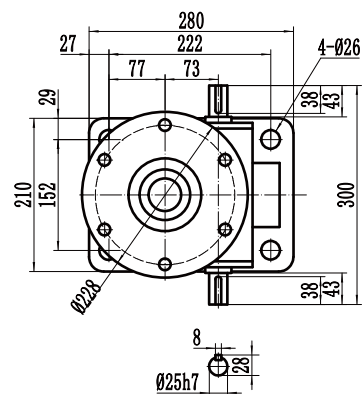
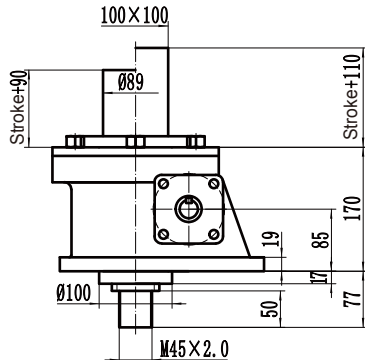
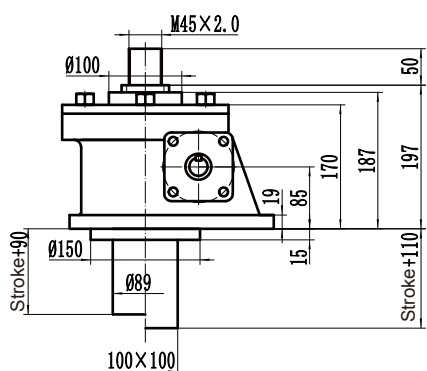


SJW-200 Machine Screw Jack

US, UK : Upright translating screw(Screw anti-rotation)

IS, IK : Inverted translating Screw(Screw anti-rotation)

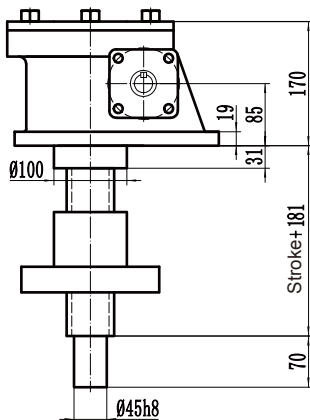
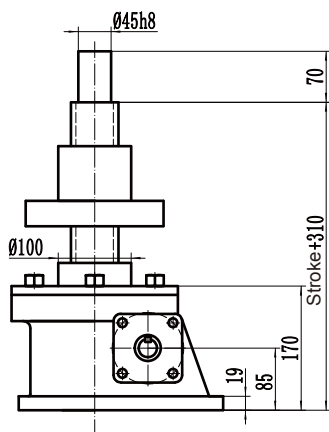
Mounting View



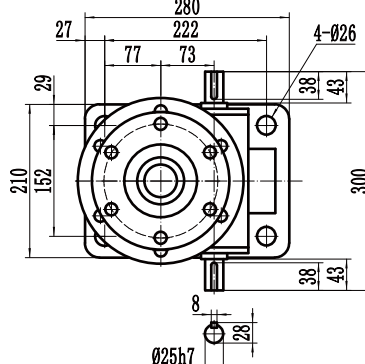
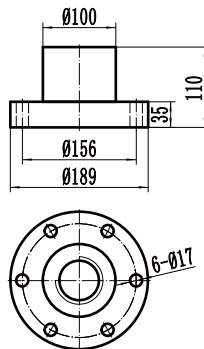
UR: Upright Rotating Screw

IR: Inverted Rotating Screw

Mounting View



Copper Nut

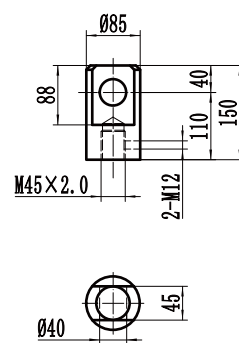
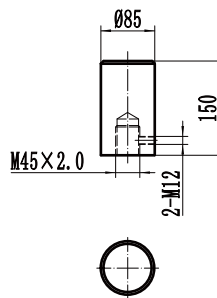
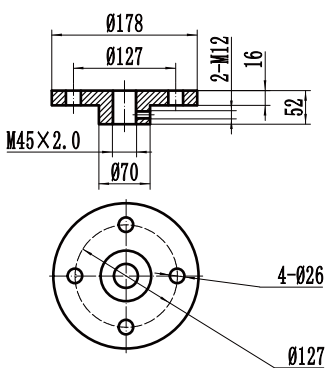
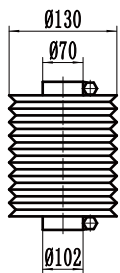


Dust Cover(Bellows)

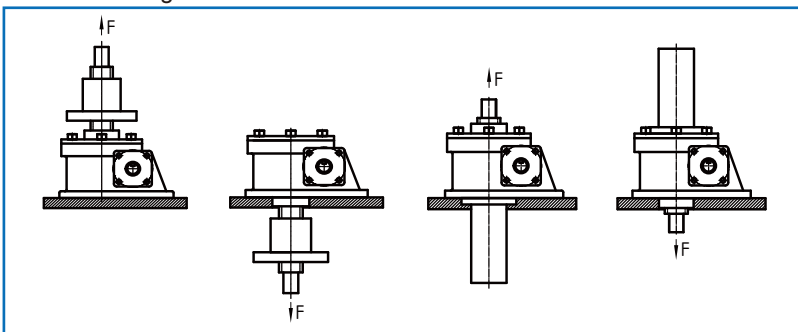
Top Plate

Plain End

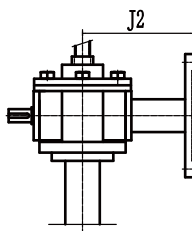
Clevis End



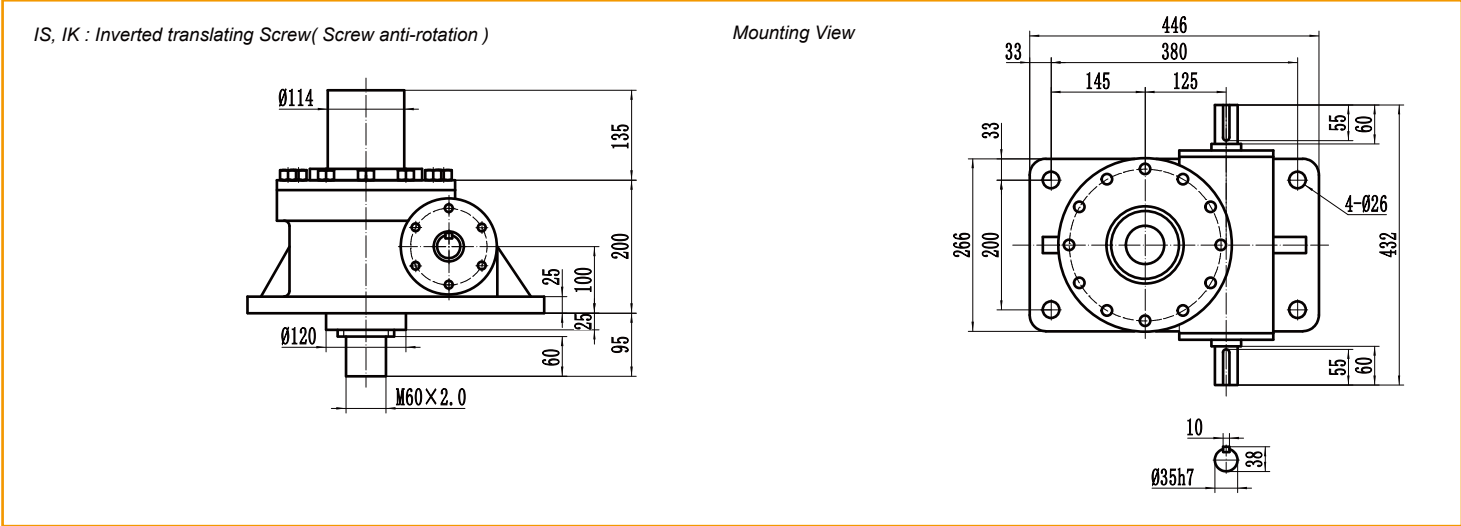
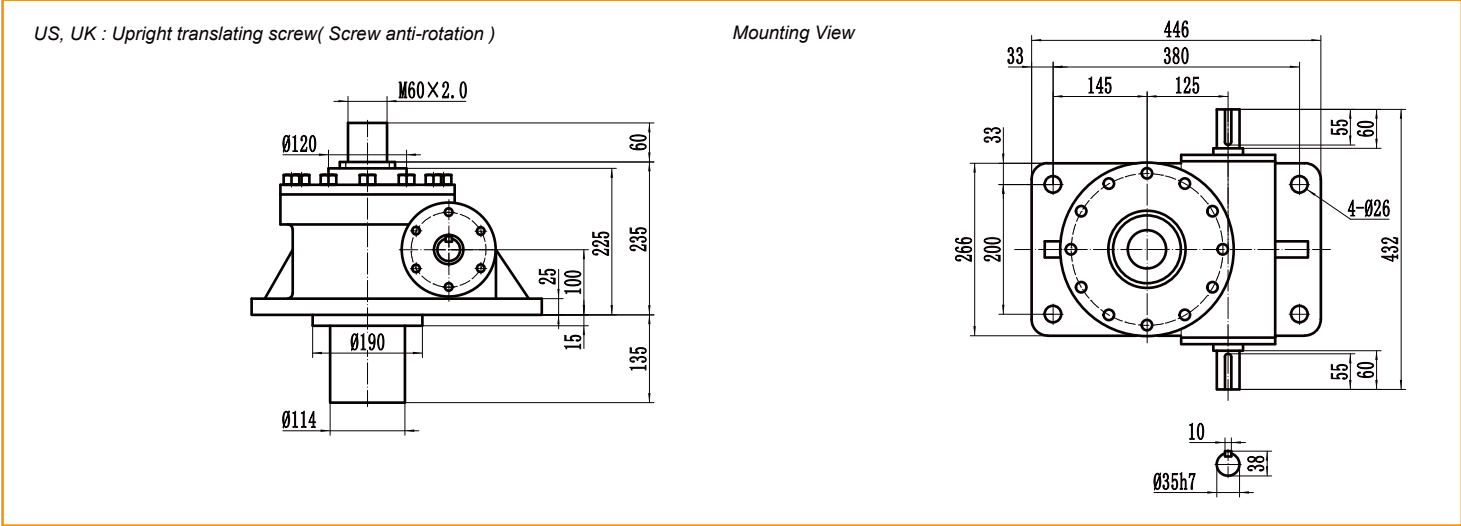
Installation diagram



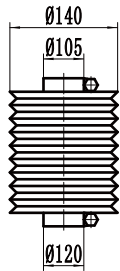
Flange Input
Can be customized



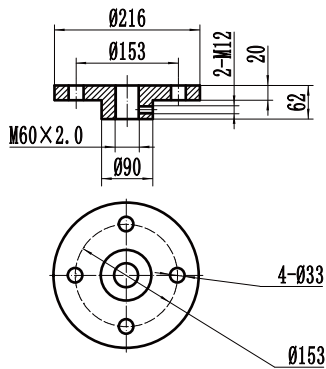
Motor base number	J2
90B5	200
100B5	210
112B5	210



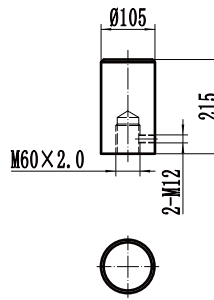
Dust Cover(Bellows)



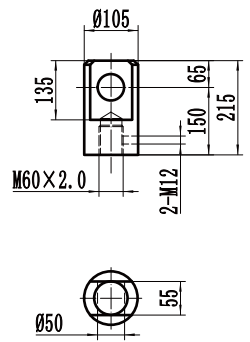
Top Plate



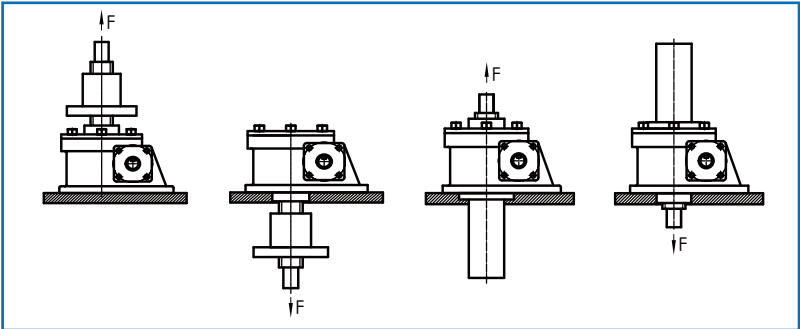
Plain End



Clevis End



Installation diagram

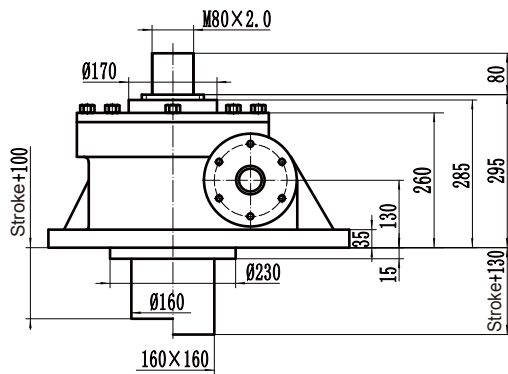


Flange Input
Can be customized

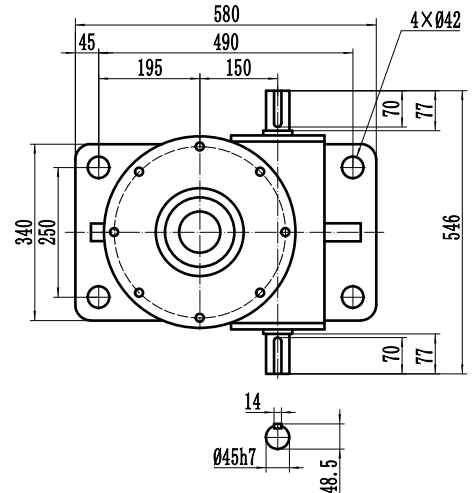
Motor base number	J2
90B5	276
100B5	286
112B5	286

SJW-500 Machine Screw Jack

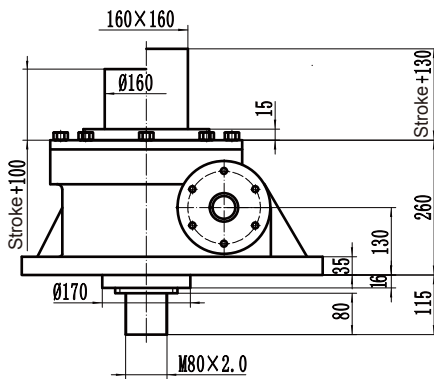
US, UK : Upright translating screw(Screw anti-rotation)



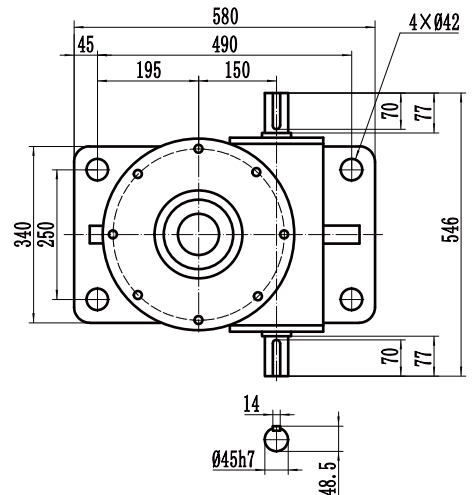
Mounting View



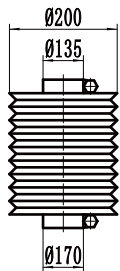
IS, IK : Inverted translating Screw(Screw anti-rotation)



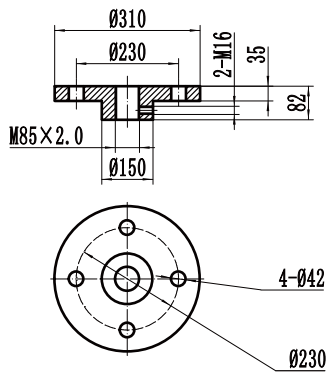
Mounting View



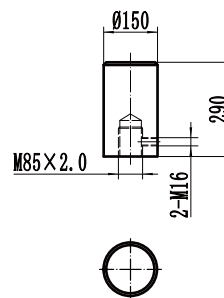
Dust Cover(Bellows)



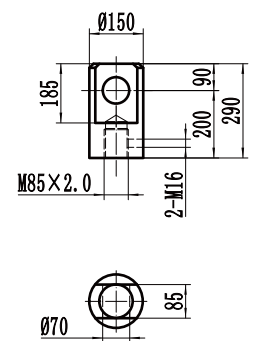
Top Plate



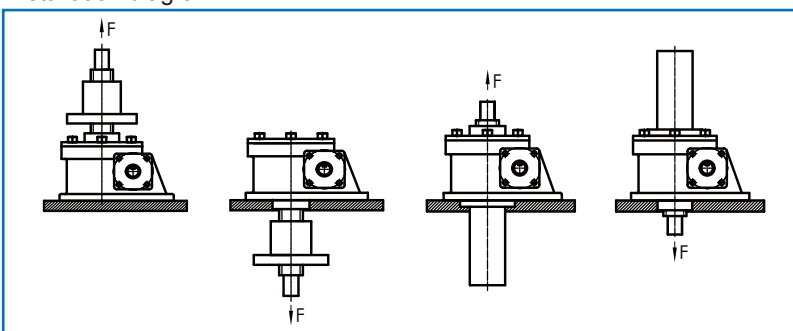
Plain End

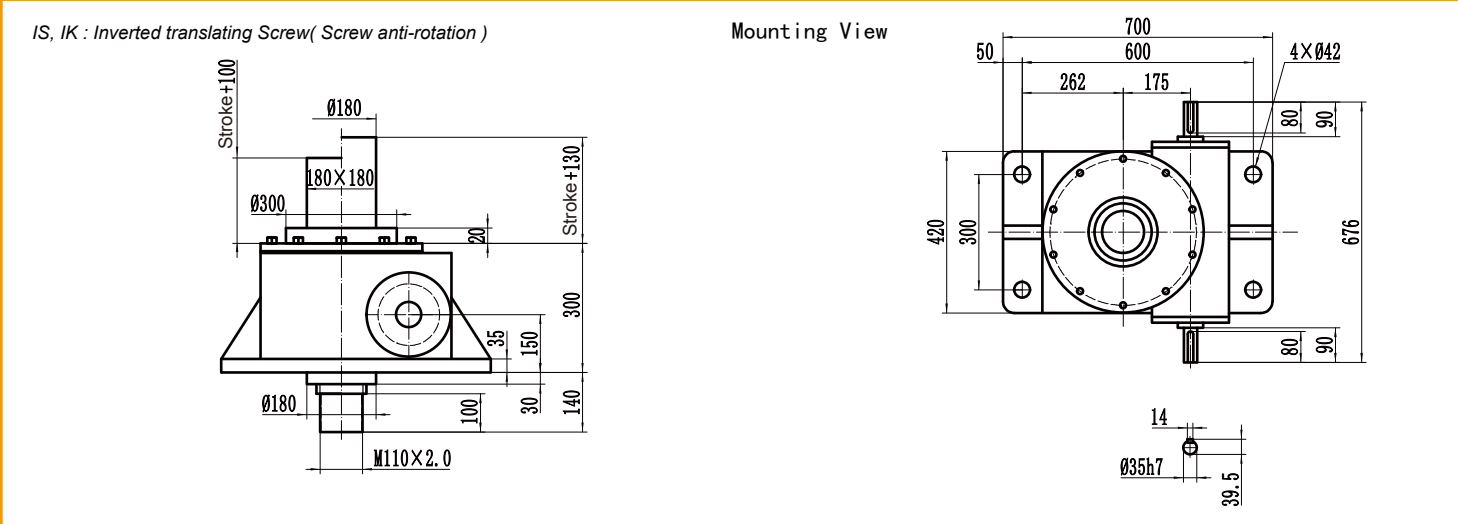
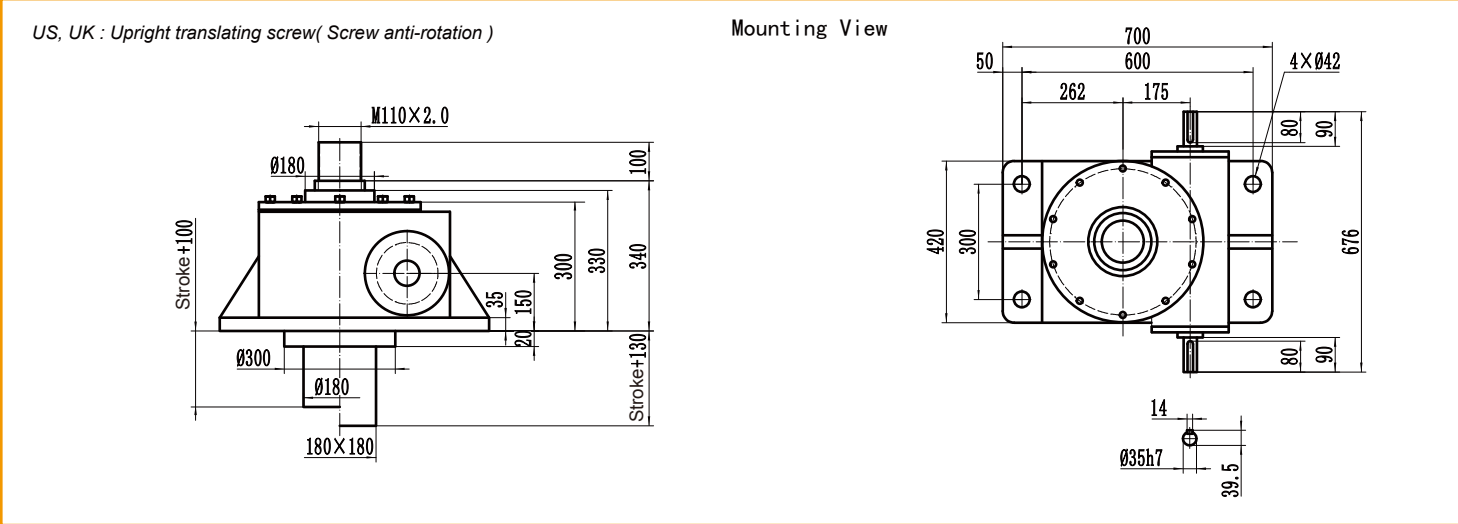


Clevis End



Installation diagram



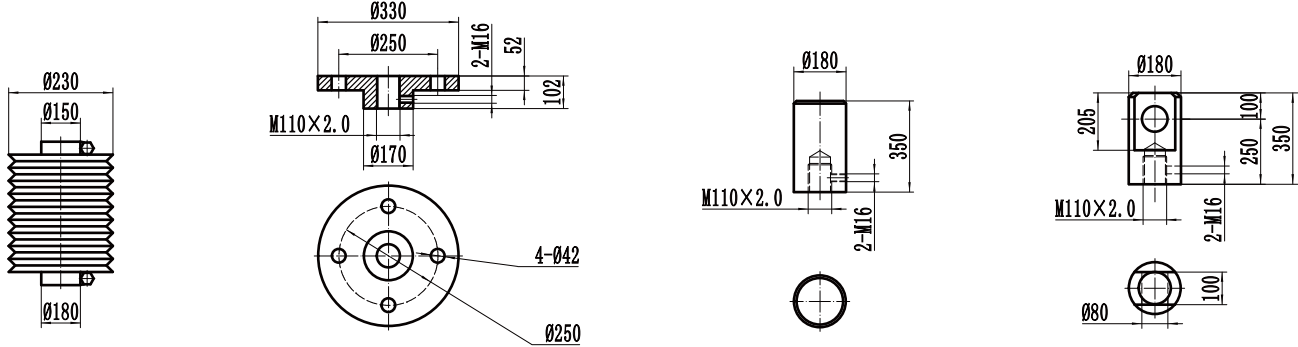


Dust Cover(Bellows)

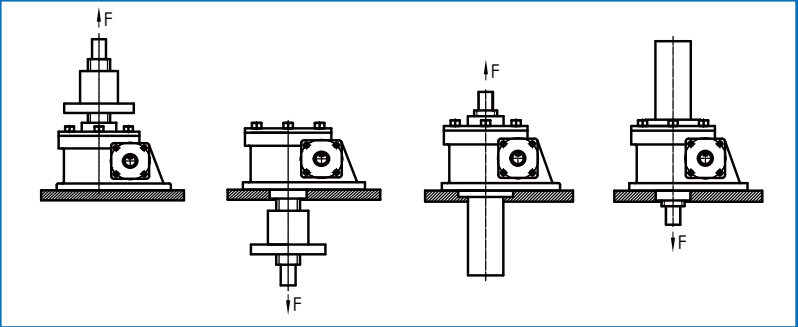
Top Plate

Plain End

Clevis End



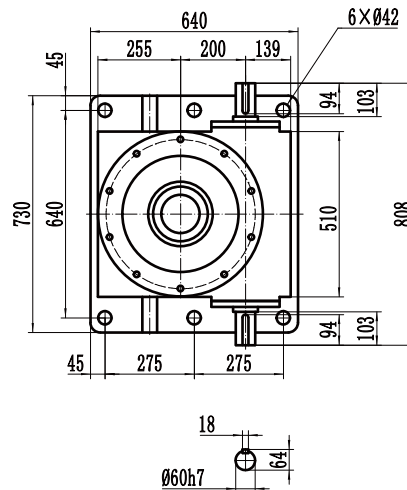
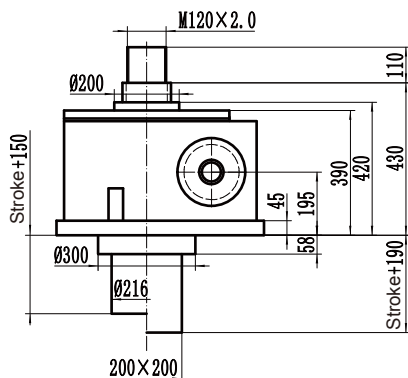
Installation diagram



SJW-1000 Machine Screw Jack

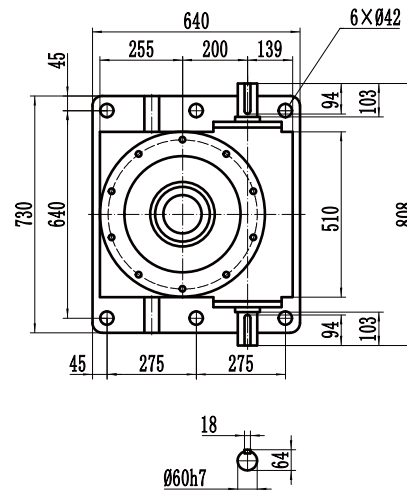
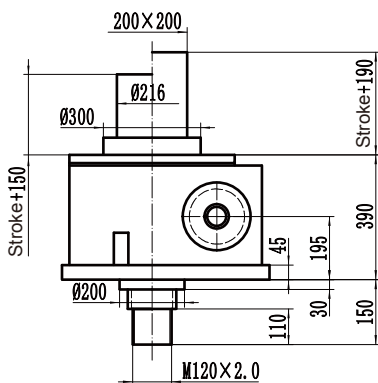
US, UK : Upright translating screw(Screw anti-rotation)

Mounting View



IS, IK : Inverted translating Screw(Screw anti-rotation)

Mounting View

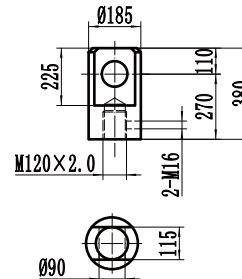
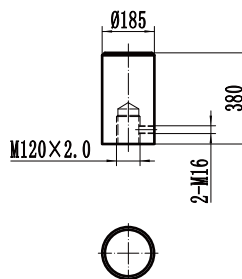
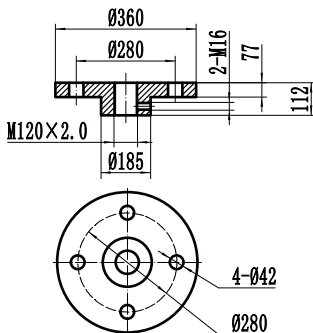
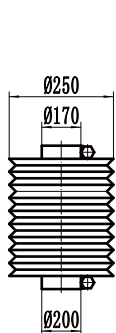


Dust Cover(Bellows)

Top Plate

Plain End

Clevis End



Installation diagram

